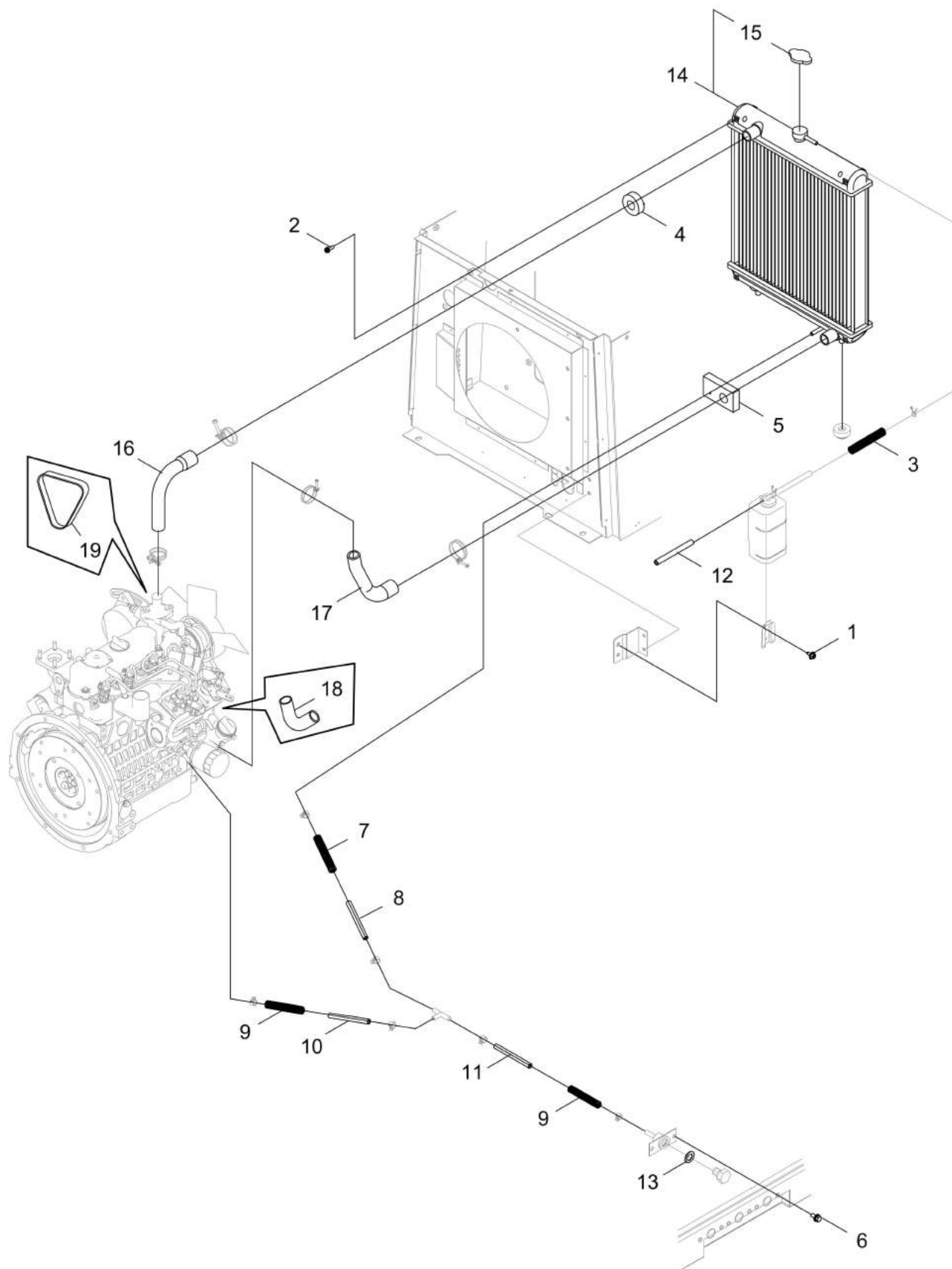


shindaiwa



RADIATOR RELATED PARTS



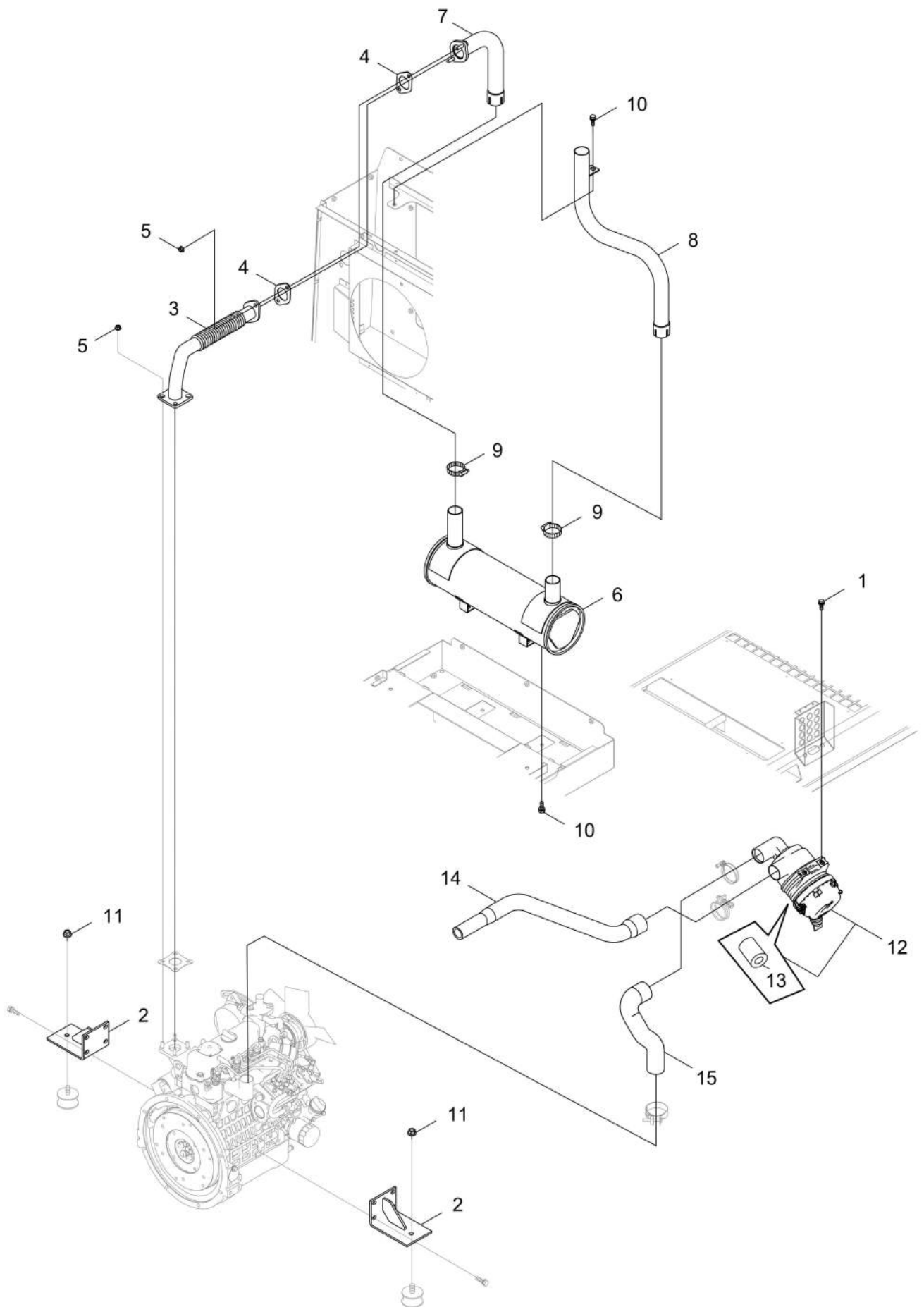
RADIATOR RELATED PARTS

Key No.	LV (+)	Parts Number	Parts Description	Qty	Standard	Class
1		V204-001720	BOLT,6	2	M6X16	C
2		91036-06020	BOLT	2	6*20	
3		V476-000270	TUBE	1		C
4		V542-000040	SEAL	1	T20X50X25	C
5		V542-000050	SEAL	1	T10X55X100	C
6		V205-001340	BOLT,8	2	BM-8X20 W SW	C
7		V476-000260	TUBE	1	13*L330	C
8		09661-70360	FUEL TUBE	1	7.3X12.5X360	
9		V476-000270	TUBE	2		C
10		09661-70260	FUEL TUBE	1	7.3X12.5X260	
11		09661-70260	FUEL TUBE	1	7.3X12.5X260	
12		0966170460	FUEL TUBE	1	7.3X12.5X460	
13		6C090-58960	GASKET	1		
14		1G319-7206-0	ASSY RADIATOR	1		
15	+	17214-7202-0	CAP ASSY	1		
16		1G319-7294-0	HOSE	1	4,WATER	
17		1G319-7285-0	HOSE	1	1,WATER	
18		16805-7287-0	HOSE	1	3,WATER	
19		17472-9701-0	V BELT	1		

Class : Consumable class

A:Fast moving parts B:Semi-fast moving parts C:Slow moving parts D:Order only as needed

MUFFLER



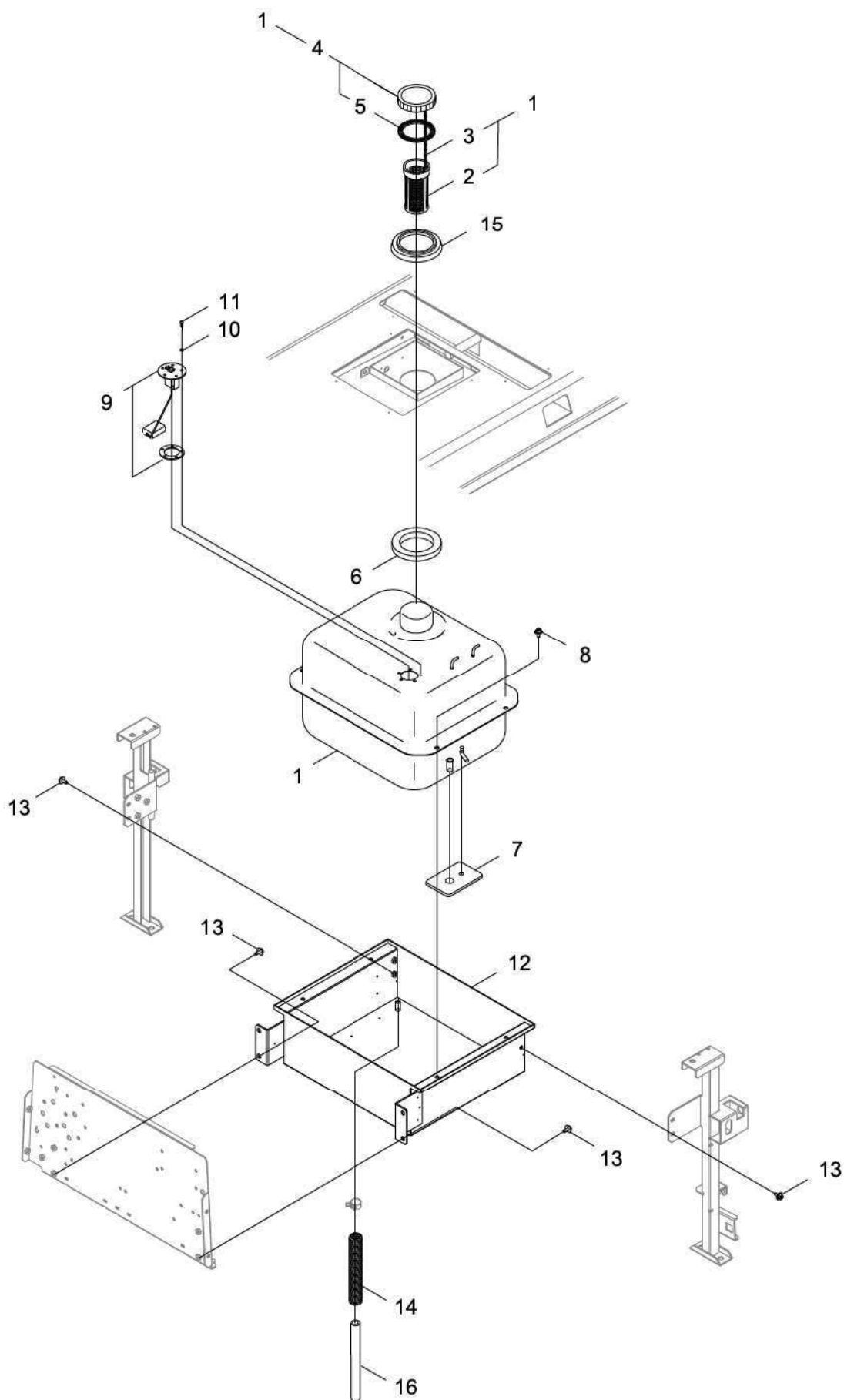
MUFFLER

Key No.	LV (+)	Parts Number	Parts Description	Qty	Standard	Class
1		V205-001340	BOLT,8	2	BM-8X20 W SW	C
2		G121-000420	STAY,ENGINE	2		D
3		G231-000540	FLEXIBLE TUBE	1		D
4		V104-001740	GASKET	2		A
5		V265-000290	FLANGE NUT	6		C
6		A300-001430	MUFFLER	1		C
7		G231-001040	PIPE,EXHAUST	1		D
8		G231-000560	EXHAUST PIPE	1		D
9		V495-002100	CLAMP	2		C
10		V205-001340	BOLT,8	5	BM-8X20 W SW	C
11		V268-000060	FLANGE NUT	2		C
12		1G319-1101-0	AIR CLEANER ASSY	1		
13	+	1G319-1121-2	AIR CLEANER(ELEMENT	1		
14		1G319-1162-2	HOSE	1	1,INLET	
15		1G319-1164-0	HOSE	1	3,INLET	

Class : Consumable class

A:Fast moving parts B:Semi-fast moving parts C:Slow moving parts D:Order only as needed

FUEL TANK



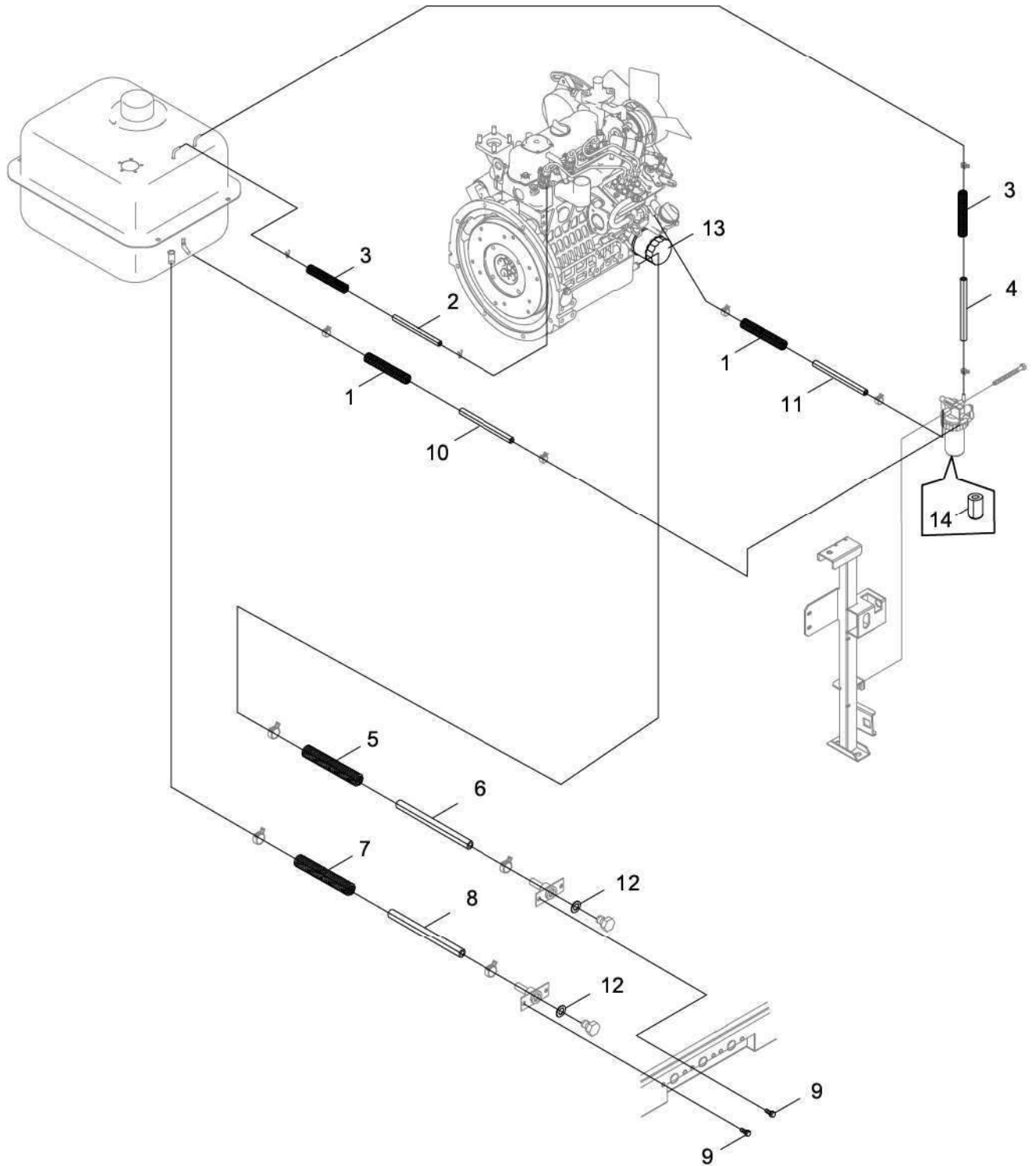
FUEL TANK

Key No.	LV (+)	Parts Number	Parts Description	Qty	Standard	Class
1		G250-000820	TANK,FUEL	1		D
2	+	A369-000180	STRAINER	1		A
3	+	V489-000120	CHAIN	1		C
4	+	G255-000110	TANK CAP	1		C
5	++	V107-000140	PACKING	1		A
6		V540-000360	SHEET	1		C
7		V542-000080	SEAL	1	T6*80*110	C
8		V204-001720	BOLT,6	4	M6X16	C
9		E325-000360	GAUGE,LEVEL	1	FP140R134	C
10		V500-000020	SEAL WASHER	5		C
11		91463-05012	SCREW	5	5*12	
12		G126-000570	BRACKET,TANK	1		D
13		V204-001720	BOLT,6	8	M6X16	C
14		V475-007230	TUBE	1	22*L300	C
15		V145-000510	TANK BUSH	1		C
16		17147-3321-0	HOSE(OIL DRAIN)	1	13X20X500	

Class : Consumable class

A:Fast moving parts B:Semi-fast moving parts C:Slow moving parts D:Order only as needed

FUEL PIPE



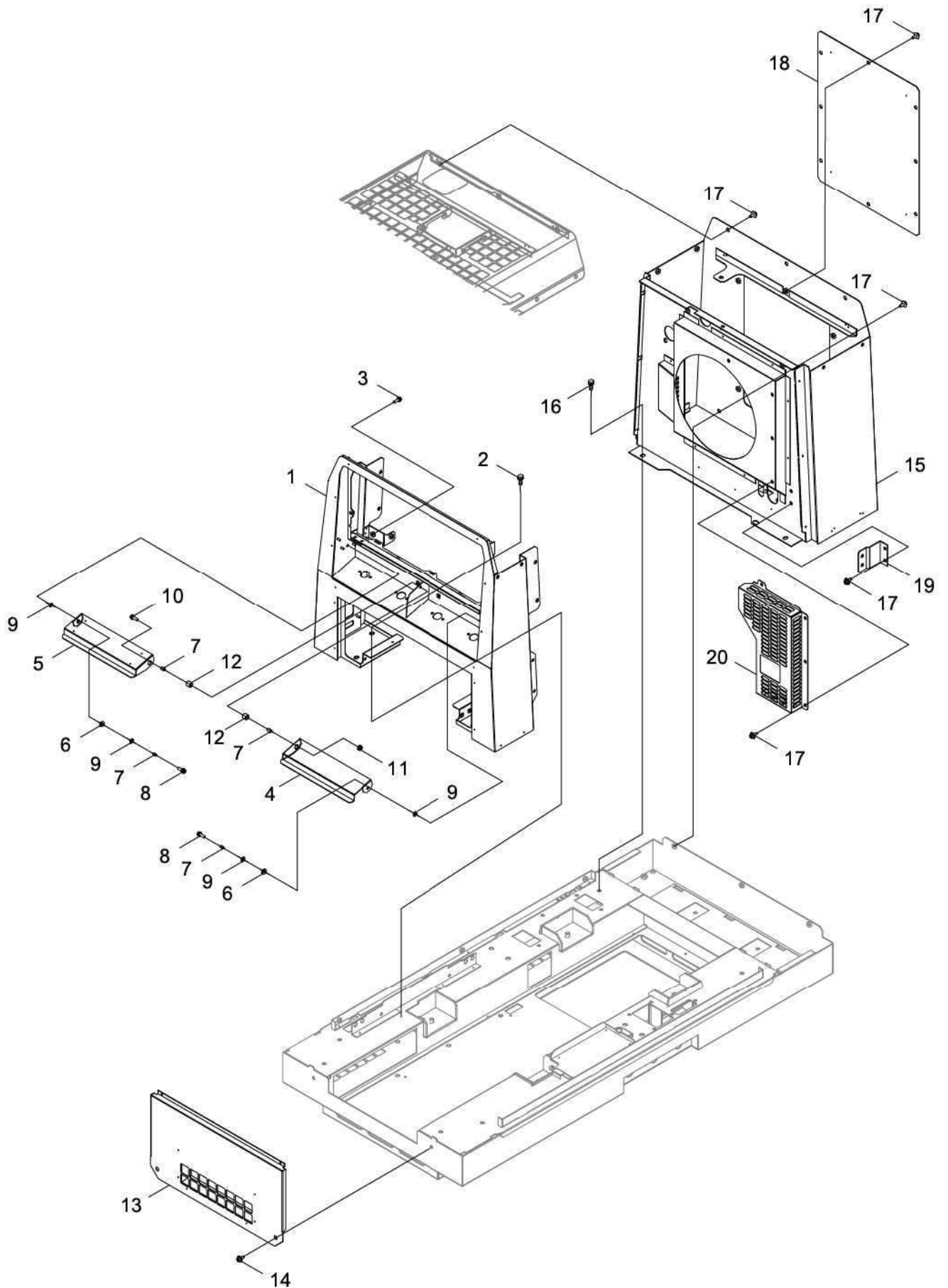
FUEL PIPE

Key No.	LV (+)	Parts Number	Parts Description	Qty	Standard	Class
1		V476-000190	TUBE	2	13*L360	C
2		09661-40650	FUEL PIPE	1	4X8X650	
3		V475-006170	TUBE	2	10*L500	C
4		09661-40650	FUEL PIPE	1	4X8X650	
5		V476-000280	TUBE	1	22*L550	C
6		17224-3321-0	PIPE	1	13X20X600	
7		V475-008030	TUBE	1	22*L800	C
8		1K014-33211	PIPE,OIL DRAIN	1	13X20X850	
9		V205-001340	BOLT,8	4	BM-8X20 W SW	C
10		09661-70400	FUEL TUBE	1	7.3X12.5X400	
11		09661-70400	FUEL TUBE	1	7.3X12.5X400	
12		6C090-58960	GASKET	2		
13		1J090-3243-0	FILTER(CARTRIDGE, OIL)	1		
14		16271-4356-2	ASSY ELEMENT	1		

Class : Consumable class

A:Fast moving parts B:Semi-fast moving parts C:Slow moving parts D:Order only as needed

COVER



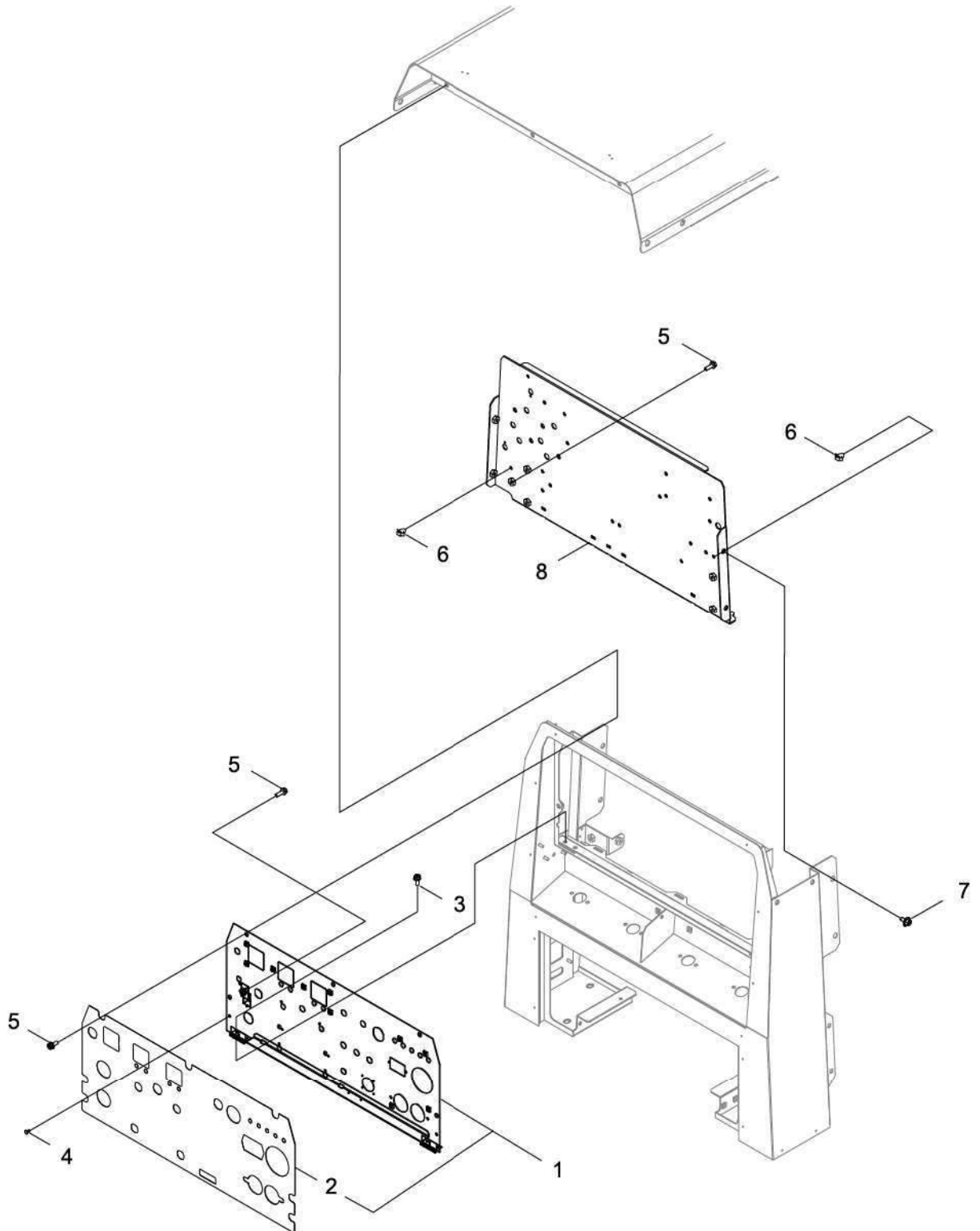
COVER

Key No.	LV (+)	Parts Number	Parts Description	Qty	Standard	Class
1		J493-000620	BONNET	1		
2		V205-001340	BOLT,8	4	BM-8X20 W SW	C
3		V204-001610	BOLT,6	1	M6*16SPW(+	C
4		M470-002280	COVER	1		D
5		M470-002290	COVER	1		D
6		V420-003160	BUSH RUBBER	2		B
7		V375-000480	COLLAR	4		C
8		91036-06020	BOLT	2	6*20	
9		900602-00008	WASHER	4	8	
10		91036-06030	BOLT	1	6*30	
11		V264-000220	FLANGE NUT	1		C
12		V420-003170	RUBBER PIPE	2		B
13		J500-000650	PANEL	1		
14		V204-001720	BOLT,6	2	M6X16	C
15		J493-000630	BONNET	1		
16		V205-001340	BOLT,8	2	BM-8X20 W SW	C
17		V204-001720	BOLT,6	20	M6X16	C
18		J500-000640	PANEL	1		
19		C519-004721	STAY	1		D
20		J447-000690	GUARD	1		

Class : Consumable class

A:Fast moving parts B:Semi-fast moving parts C:Slow moving parts D:Order only as needed

FRONT PANEL



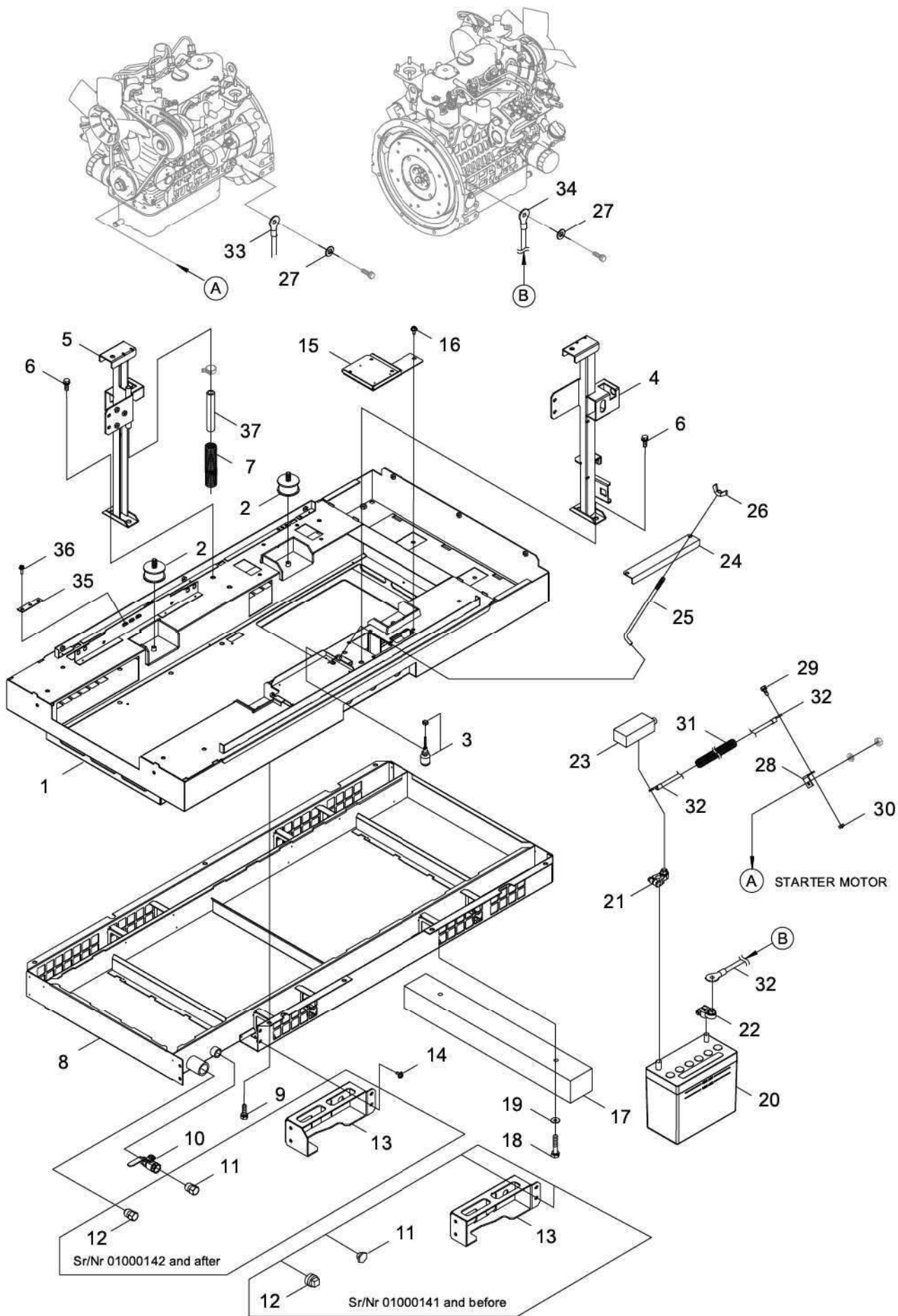
FRONT PANEL

Key No.	LV (+)	Parts Number	Parts Description	Qty	Standard	Class
1		C165-000110	PANEL,OPERATION	1		D
2	+	X532-004300	LABEL,OPERATION	1		D
3		900182-04010	BOLT	4	4*10	
4		V494-000420	CAP	2		C
5		V204-001610	BOLT,6	7	M6*16SPW(+	C
6		M416-000070	STOPPER,BAND	2		D
7		V204-001720	BOLT,6	4	M6X16	C
8		J500-000980	PANEL	1		

Class : Consumable class

A:Fast moving parts B:Semi-fast moving parts C:Slow moving parts D:Order only as needed

BASE, FRAME



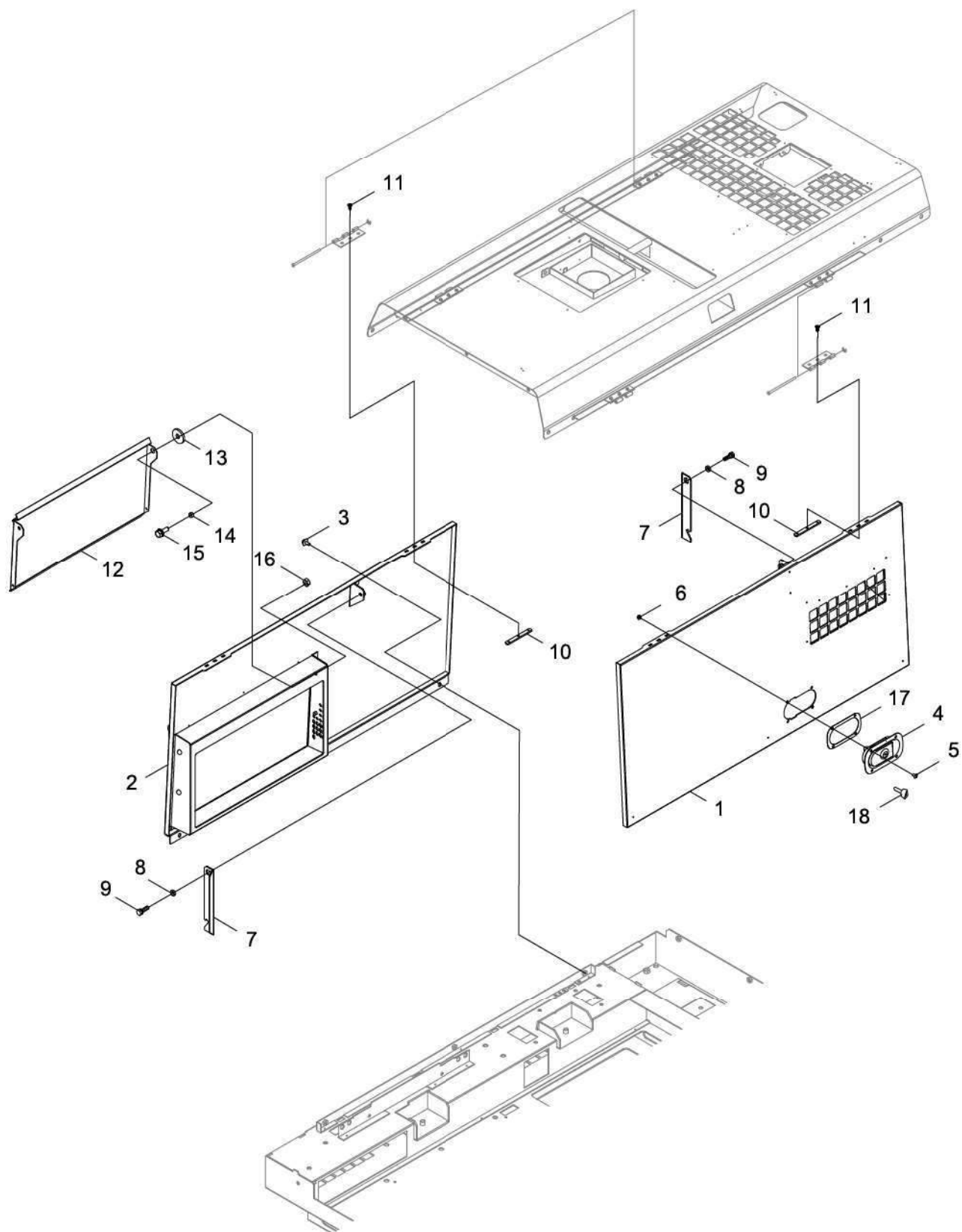
BASE, FRAME

Key No.	LV (+)	Parts Number	Parts Description	Qty	Standard	Class
1		J405-003150	FRAME	1		
2		V420-003140	AV RUBBER	4		B
3		G334-001080	SWITCH	1	MFS17-B(NBR)	C
4		J415-000950	STAY,BONNET	1		
5		J415-000960	STAY,BONNET	1		
6		V206-000720	BOLT,10	4	M10X25-SPW	C
7		V475-008020	TUBE	1	22*L400	C
8		J447-001220	GUARD	1		
9		V205-001340	BOLT,8	7	BM-8X20 W SW	C
10		E265-000190	VALVE	1	BV23-04	C
10		E265-000310	VALVE	1	BV23-04-B(SUS)	C
11		E328-000220	PLUG,DRAIN	1		C
11		E328-000330	PLUG,DRAIN	1		C
12		E328-000230	PLUG,DRAIN	1		C
12		E328-000340	PLUG,DRAIN	1		C
13		J447-001020	GUARD	1		
13		J447-001021	GUARD	1		
14		V204-001720	BOLT,6	4	M6X16	C
15		C603-000920	PLATE, SIDE	1		C
16		V204-001720	BOLT,6	5	M6X16	C
17		C619-000490	BASE,FRAME	2	75*85*L730	D
18		91022-10050	BOLT	4	10*50	
19		C603-000290	SIDE PLATE	4		C
20		V481-000170	BATTERY 46B24L	1		B
21		G304-000020	TERMINAL +	1		C
22		G304-000030	TERMINAL -	1		C
23		G305-000030	TERMINAL CAP	1		C
24		G303-000290	HOLDER,BATTERY	1		D
25		V240-000150	BOLT BATTERY	2		C
26		92190-08000	NUT, WING	2	8	
27		900617-00010	WASHER	2	10	
28		J420-000090	TERMINAL PLATE	1		
29		V205-001340	BOLT,8	1	BM-8X20 W SW	C
30		900500-00008	NUT	1	8	
31		V475-007690	TUBE	1	19*L240	C
32		M380-000170	LEAD WIRE	1		D
33		M385-000261	LEAD	1		D
34		M386-000340	LEAD	1	22MM2 L430	D
35		V150-003140	PLATE,EYE	1		C
36		V204-001610	BOLT,6	3	M6*16SPW(+)	C
37		17224-3321-0	PIPE	1	13X20X600	

Class : Consumable class

A:Fast moving parts B:Semi-fast moving parts C:Slow moving parts D:Order only as needed

DOOR



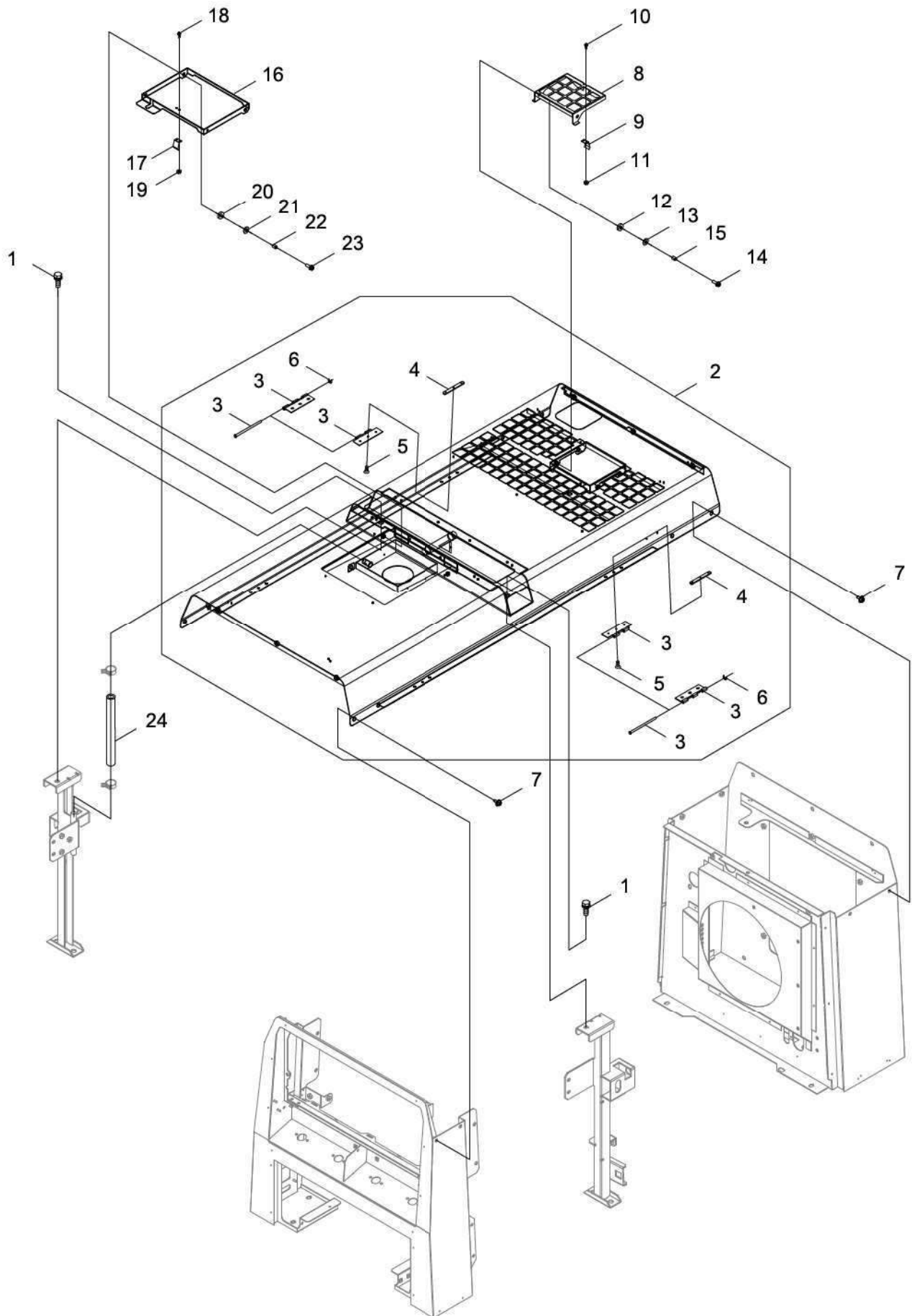
DOOR

Key No.	LV (+)	Parts Number	Parts Description	Qty	Standard	Class
1		M406-001720	DOOR,RIGHT	1		D
2		M404-001240	DOOR,LEFT	1		D
3		V204-001720	BOLT,6	3	M6X16	C
4		C701-000400	LOCK COVER	1		D
5		900209-05010	SCREW	4	5*10	
6		V263-000330	FLANGE NUT	4		C
7		G257-000760	STOPPER	2		C
8		V375-000460	COLLAR	2		C
9		V205-001340	BOLT,8	2	BM-8X20 W SW	C
10		V150-002620	TAPPING PLATE	4		C
11		900212-04010	SCREW	12	4*10	
12		M470-002920	COVER	1		D
13		V420-003080	BUSH RUBBER	1		B
14		V375-000410	COLLAR	1		C
15		91024-10030	BOLT	1	10*30	
16		900500-00010	NUT	1	10	
17		V542-000120	SEAL	1		C
18		G317-000040	KEY	1	R200 1本	D

Class : Consumable class

A:Fast moving parts B:Semi-fast moving parts C:Slow moving parts D:Order only as needed

TOP COVER



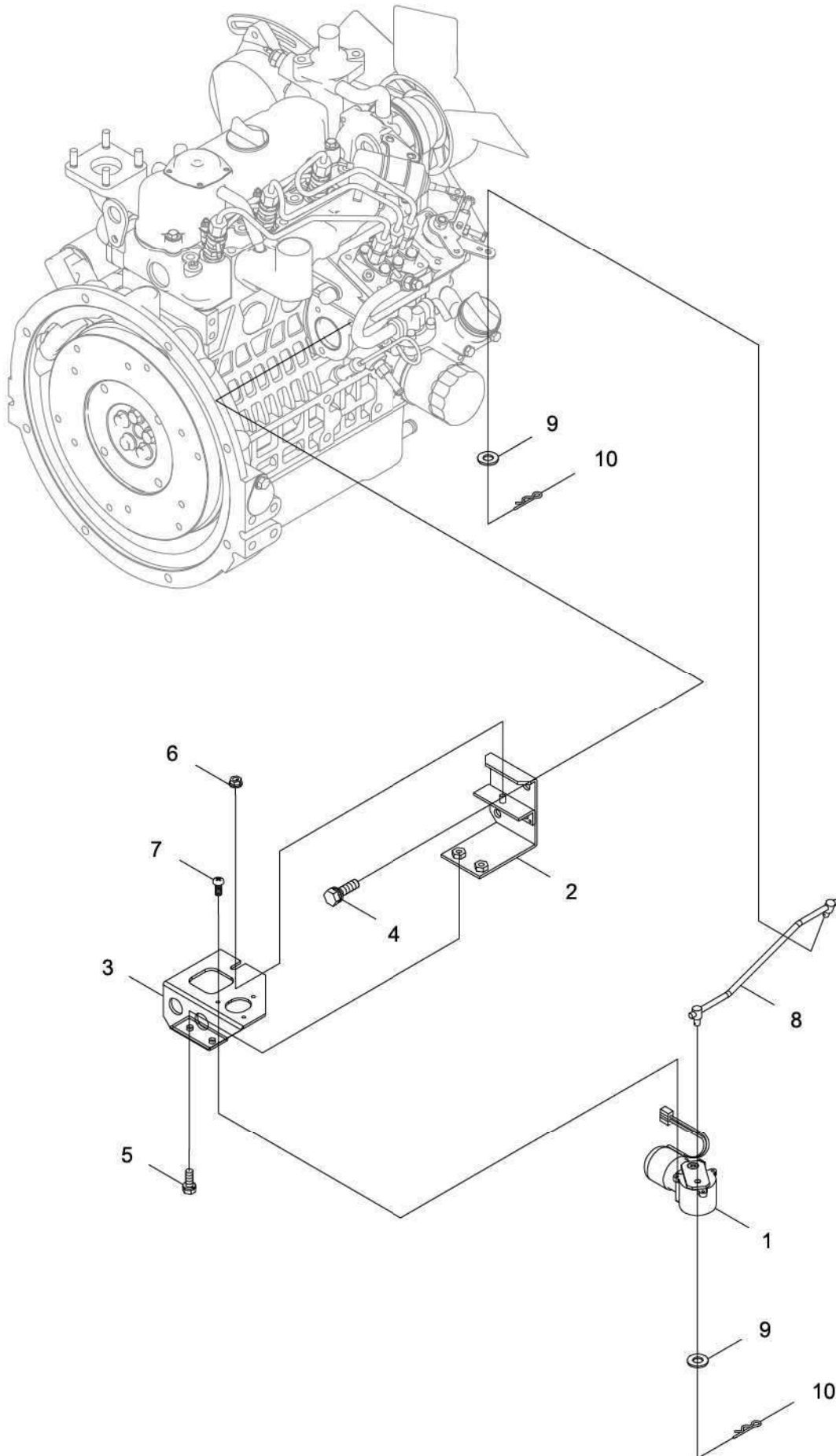
TOP COVER

Key No.	LV (+)	Parts Number	Parts Description	Qty	Standard	Class
1		V206-000720	BOLT,10	2	M10X25-SPW	C
2		J493-000640	BONNET	1		D
3	+	J485-000610	HINGE	4		
4	+	V150-002620	TAPPING PLATE	4		C
5	+	900212-04010	SCREW	12	4*10	
6	+	900703-00004	RETAINING RING, EXTERNAL-E	4	CE-4	
7		V204-001720	BOLT,6	9	M6X16	C
8		J480-000791	LID,COVER	1		
9		C390-000010	TONGUE	1		D
10		91564-03012	SCREW	2	3*12	
11		V261-000010	FLANGE NUT	2		C
12		V420-003160	BUSH RUBBER	2		B
13		900602-00008	WASHER	2	8	
14		91036-06020	BOLT	2	6*20	
15		V375-000480	COLLAR	2		C
16		A354-000060	LID,FUEL TANK	1		C
17		C390-000010	TONGUE	1		D
18		91564-03012	SCREW	2	3*12	
19		V261-000010	FLANGE NUT	2		C
20		V420-003160	BUSH RUBBER	2		B
21		900602-00008	WASHER	2	8	
22		91036-06020	BOLT	2	6*20	
23		V375-000480	COLLAR	2		C
24		12597-3377-0	TUBE	1	13X20X400	

Class : Consumable class

A:Fast moving parts B:Semi-fast moving parts C:Slow moving parts D:Order only as needed

MOTOR



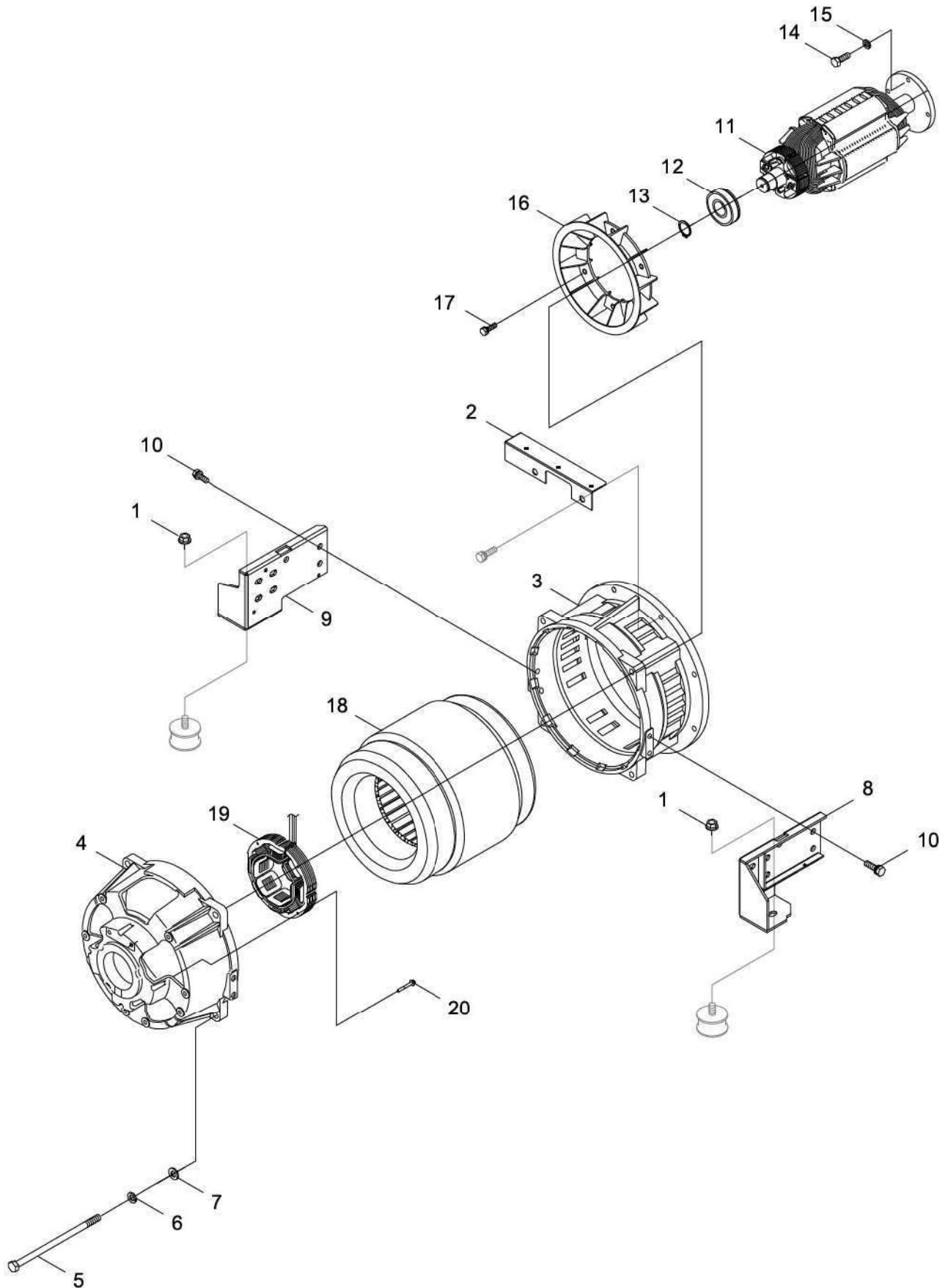
MOTOR

Key No.	LV (+)	Parts Number	Parts Description	Qty	Standard	Class
1		G280-000430	MOTOR	1		C
2		C527-001160	STAY	1		D
3		C527-001170	STAY	1		D
4		V205-001340	BOLT,8	2	BM-8X20 W SW	C
5		V204-001720	BOLT,6	2	M6X16	C
6		V264-000220	FLANGE NUT	1		C
7		91564-03012	SCREW	3	3*12	
8		C454-000520	ROD, THROTTLE	1		C
9		900602-00006	WASHER	2	6	
10		93003-06000	PIN, SNAP	2	6	

Class : Consumable class

A:Fast moving parts B:Semi-fast moving parts C:Slow moving parts D:Order only as needed

ROTOR



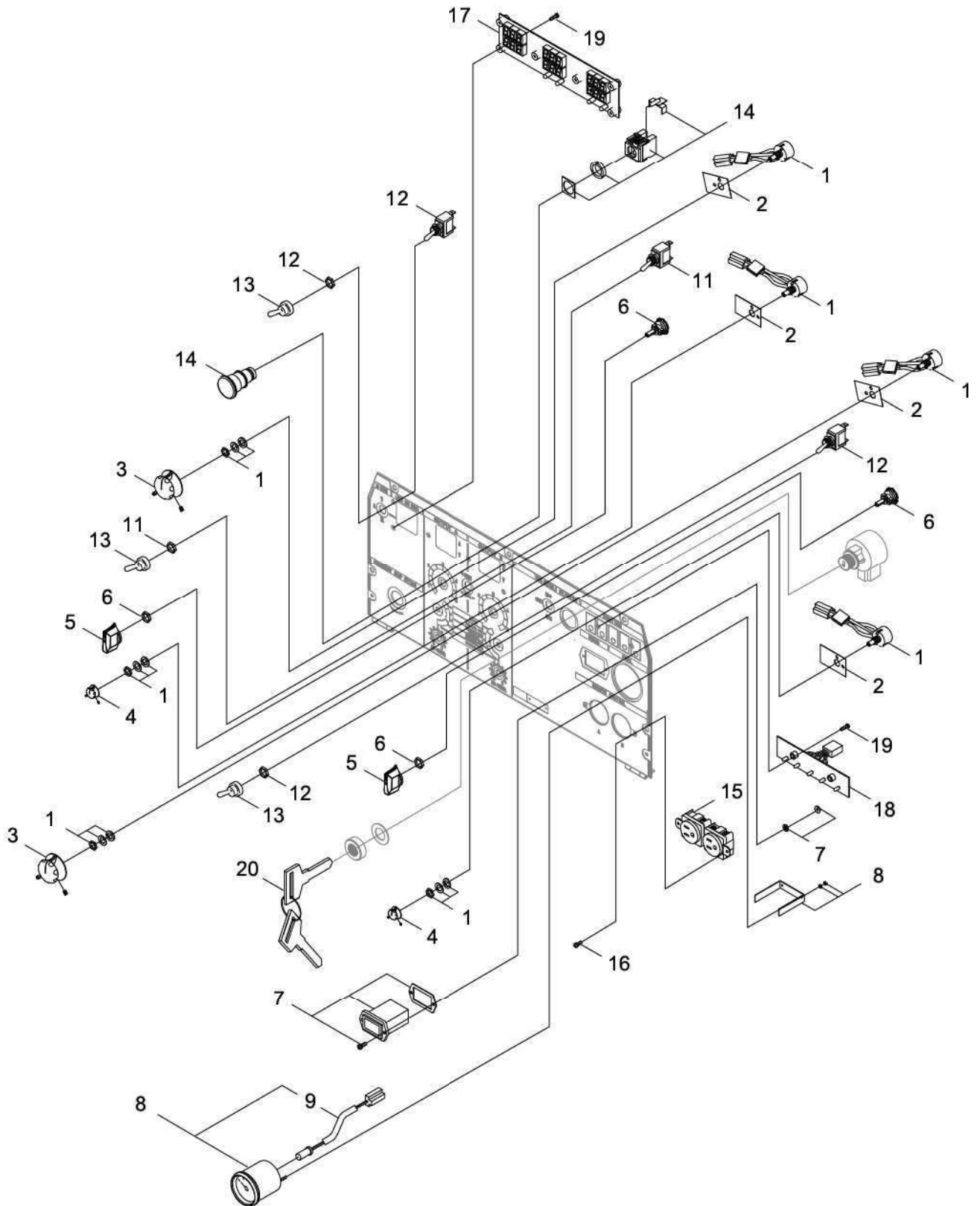
ROTOR

Key No.	LV (+)	Parts Number	Parts Description	Qty	Standard	Class
1		V268-000060	FLANGE NUT	2		C
2		C519-004730	STAY	1		D
3		M305-000080	FRONT BRACKET	1		D
4		M305-000090	REAR BRACKET	1		D
5		V207-000120	BOLT	4		C
6		900605-00012	WASHER, SPRING	4	12	
7		900617-00012	WASHER	4	12	
8		C519-004741	STAY	1		D
9		C527-001151	STAY	1		D
10		91024-10030	BOLT	8	10*30	
11		M102-000930	ROTOR	1		D
12		V592-000200	BEARING, BALL	1		C
13		92423-34000	RETAINING RING	1	CS-34	
14		91014-10030	BOLT	4	10*30 P1.25 8.8	
15		900605-00010	WASHER, SPRING	4	10	
16		A171-000091	FAN, COOLING	1		C
17		900147-08025	BOLT	6	8*25	
18		M106-001301	STATOR	1		D
19		M106-001070	STATOR	1		D
20		91024-05040	BOLT	4	5*40	

Class : Consumable class

A:Fast moving parts B:Semi-fast moving parts C:Slow moving parts D:Order only as needed

CONTROL PANEL



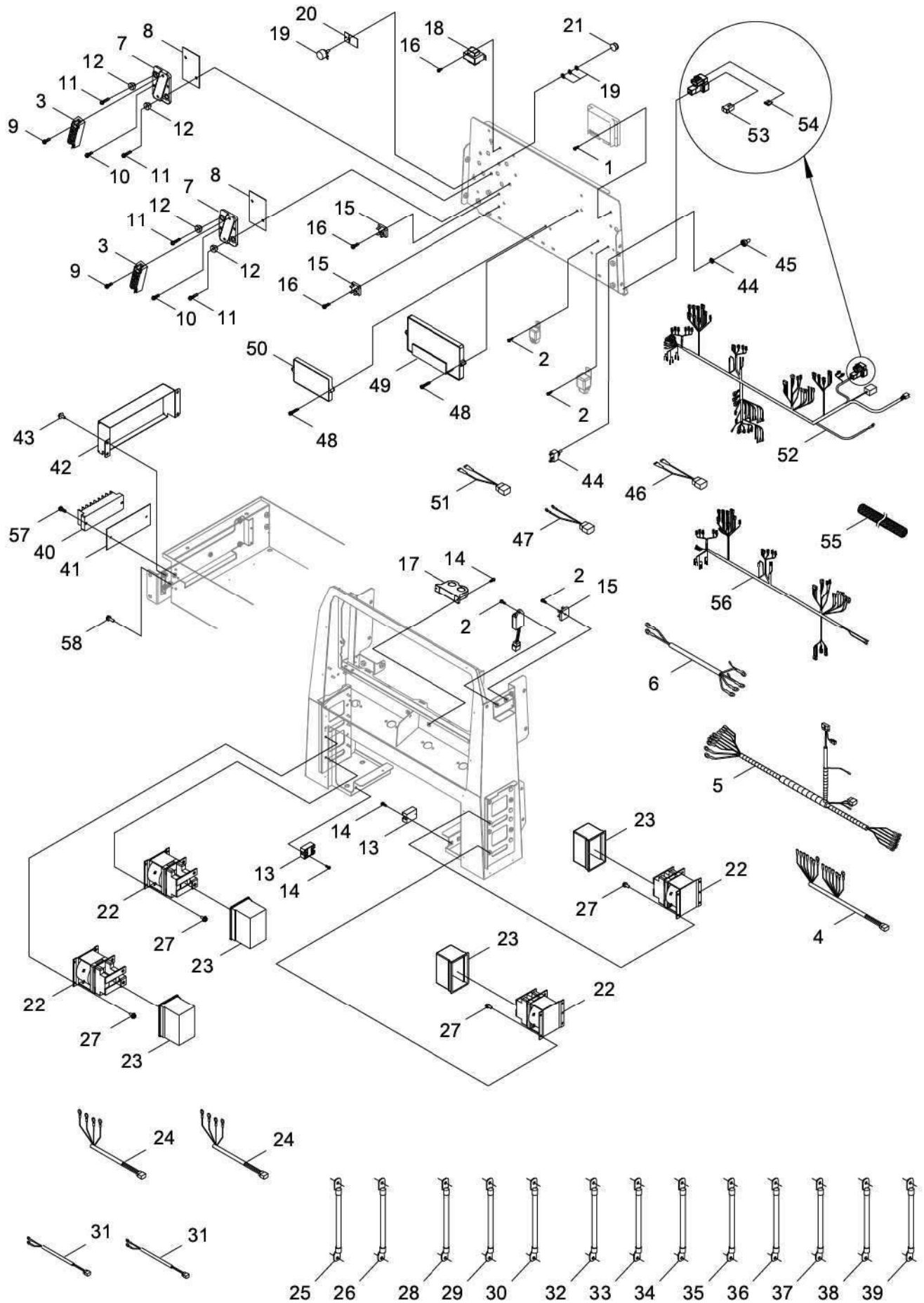
CONTROL PANEL

Key No.	LV (+)	Parts Number	Parts Description	Qty	Standard	Class
1		M112-000170	VOLUME	4		C
2		M702-000050	INS PAPER	4		
3		E145-000070	DIAL	2		C
4		E145-000080	DIAL	2		C
5		M613-000240	KNOB	2	AT432	D
6		G334-001531	SWITCH	2		C
7		G319-000060	HOUR METER	1		D
8		G318-000140	METER,FUEL	1		D
9	+	G327-000710	LAMP,PILOT	1		
11		A045-000770	SWITCH, ON OFF	1	NKK S-2F	C
12		G334-001110	SWITCH	2		C
13		V494-000910	CAP	3		C
14		G334-000770	BUTTON SWITCH	1		C
15		C154-000580	PLUG SOCKET	1		D
16		900283-04008	SCREW	2	4*8	
17		C124-000280	MODULE, CIRCUIT	1		D
18		C124-000270	MODULE, CIRCUIT	1		D
19		91461-04014	SCREW	8	4*14	
20		15248-63700	KEY,STRATER	1		

Class : Consumable class

A:Fast moving parts B:Semi-fast moving parts C:Slow moving parts D:Order only as needed

ELECTRICAL EQUIPMENT, HARNESS



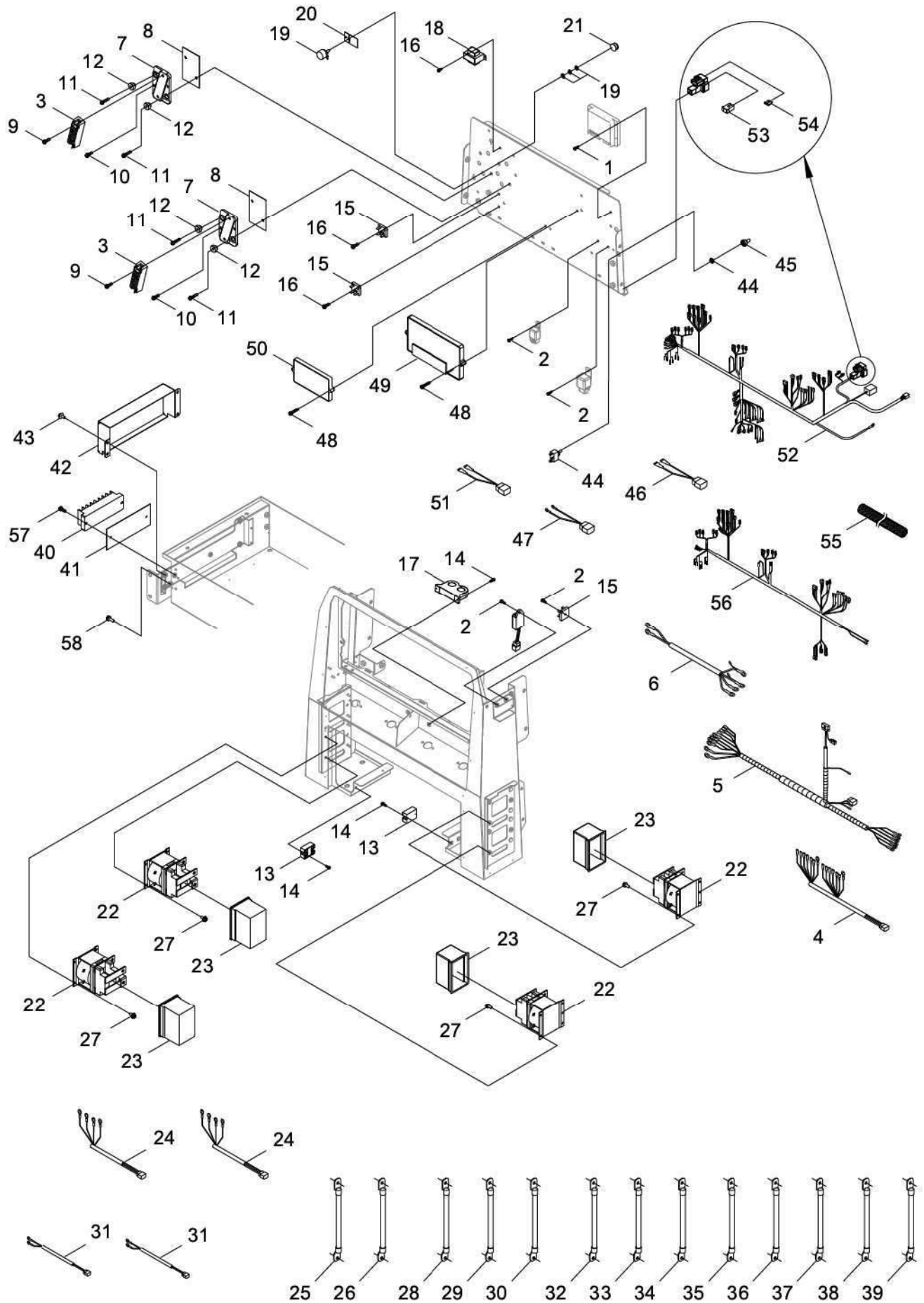
ELECTRICAL EQUIPMENT, HARNESS

Key No.	LV (+)	Parts Number	Parts Description	Qty	Standard	Class
1		91564-05020	SCREW	4	5*20	
2		91564-05016	SCREW	4	5*16	
3		M101-000150	THYRISTOR	2	PFT814N	D
4		G363-000051	HARNESS,WIRE	1		C
5		G363-000230	HARNESS,WIRE	1		C
6		G363-000240	HARNESS,WIRE	2		C
7		A471-000750	BASE, BOARD	2		D
8		C557-000220	SHEET	2		D
9		91564-06020	SCREW	4	6*20	
10		91564-06012	SCREW	2	6*12	
11		91565-06030	SCREW	4	6*30	
12		V376-001460	INS RING	4		C
13		M105-000050	RECTIFIRE	2		D
14		91564-04012	SCREW	6	4*12	
15		M105-000000	RECTIFIER	3		D
16		91564-04016	SCREW	4	4*16	
17		M108-000060	CT	1		D
18		C163-000040	TRANS	1		D
19		M112-000170	VOLUME	1		C
20		M702-000050	INS PAPER	1		
21		E145-000080	DIAL	1		C
22		G334-002120	SWITCH	4	PT-12S	C
23		J139-000180	DUST COVER	4		
24		G364-000020	HARNESS,WIRE	2		
25		M385-000360	LEAD	1	38MM2 L690	D
26		M385-000370	LEAD	1	38MM2 L270	D
27		91037-05012	BOLT	12	5*12	
28		M385-000320	LEAD	1	38MM2 L670	D
29		M385-000330	LEAD	1	38MM2 L250	D
30		M386-000510	LEAD	1	38MM2 L660	D
31		G364-000030	HARNESS,WIRE	2		
32		M385-000350	LEAD	1	38MM2 L330	D
33		M386-000520	LEAD	1	38MM2 L830	D
34		M386-000530	LEAD	1	38MM2 L760	D
35		M386-000540	LEAD	1	38MM2 L900	D
36		M385-000410	LEAD	1	38MM2 L1060	D
37		M386-000550	LEAD	1	38MM2 L840	D
38		M386-000560	LEAD	1	38MM2 L950	D
39		M386-000570	LEAD	1	38MM2 L980	D
40		M308-000510	BLOCK,TERMINAL	1	BTB50C8 8P	D
41		C557-000420	PLATE,PROTECTION	1		D
42		M471-000100	COVER	1		D
43		V204-001720	BOLT,6	4	M6X16	C
44		A045-000770	SWITCH, ON OFF	1	NKK S-2F	C

Class : Consumable class

A:Fast moving parts B:Semi-fast moving parts C:Slow moving parts D:Order only as needed

ELECTRICAL EQUIPMENT, HARNESS



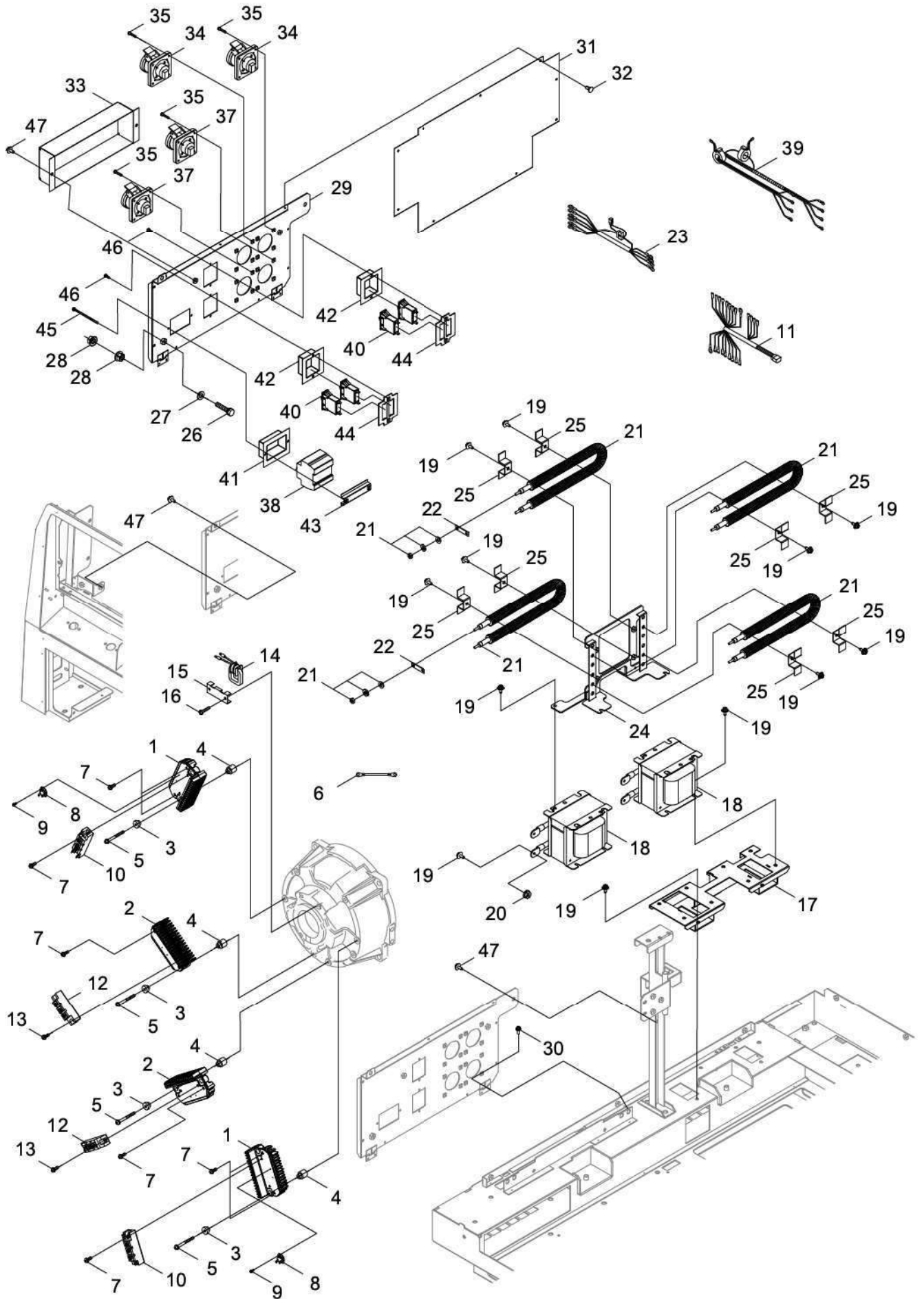
ELECTRICAL EQUIPMENT, HARNESS

Key No.	LV (+)	Parts Number	Parts Description	Qty	Standard	Class
45		V494-000910	CAP	1		C
46		G363-000290	HARNESS,WIRE	1		C
47		G363-000300	HARNESS,WIRE	1		C
48		91036-05025	BOLT	4	5*25	
49		G369-000060	UNIT,CONTROL	1	POWER CONTROLLER	C
50		G370-002670	UNIT,CONTROL	1		C
51		G363-000280	HARNESS,WIRE	1		C
52		G363-000252	HARNESS,WIRE	1		C
53	+	G350-000210	FUSE	1		B
54	+	G350-000240	FUSE	1	20A	B
55		V475-008430	TUBE	1	19*L180	C
56		G363-000260	HARNESS,WIRE	1		C
57		91564-05025	SCREW	2	5*25	
58		V204-001610	BOLT,6	1	M6*16SPW(+	C

Class : Consumable class

A:Fast moving parts B:Semi-fast moving parts C:Slow moving parts D:Order only as needed

FIN



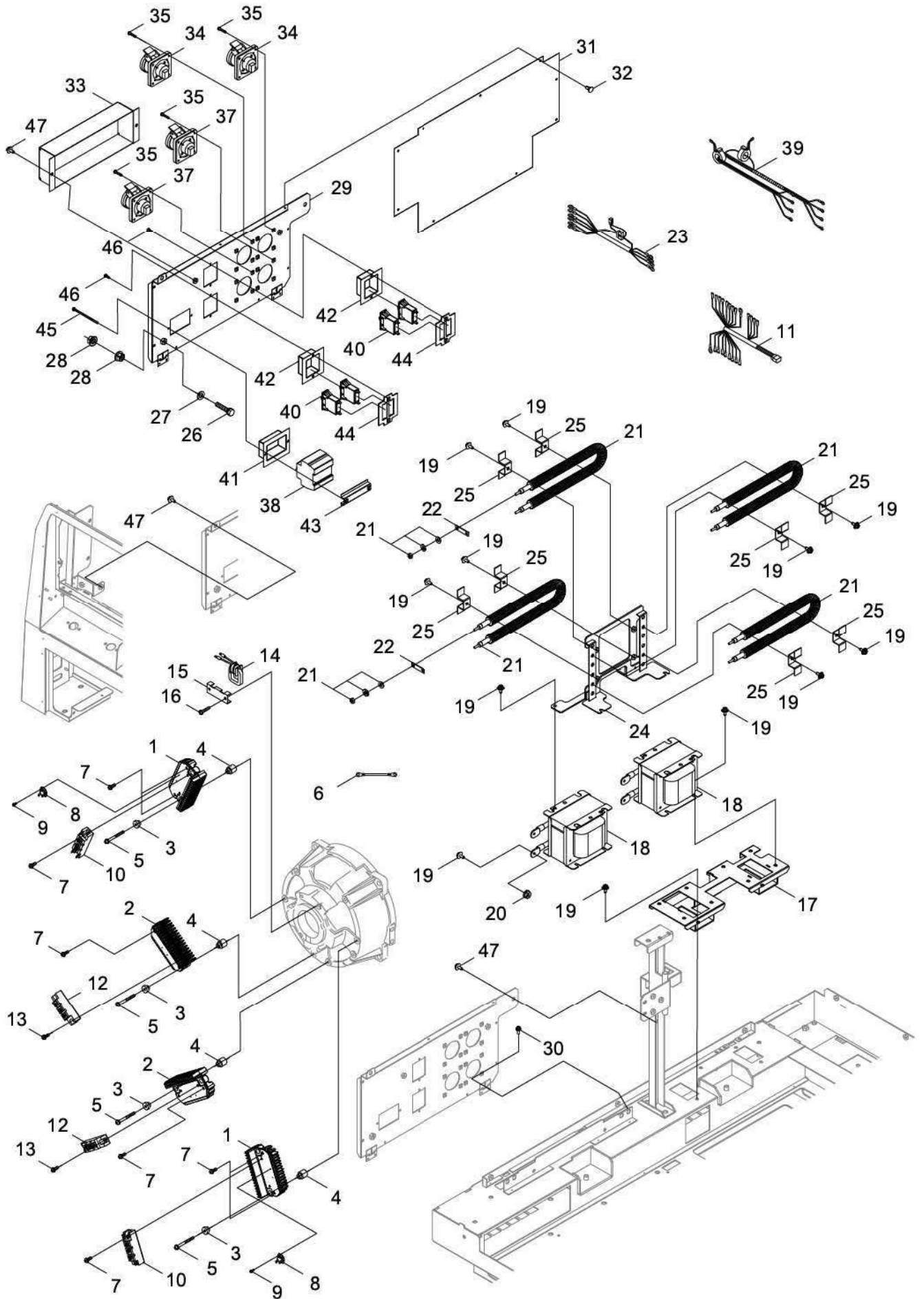
FIN

Key No.	LV (+)	Parts Number	Parts Description	Qty	Standard	Class
1		M615-000100	FIN	2		D
2		M615-000110	FIN	2		D
3		V376-001460	INS RING	8		C
4		V376-001470	INS RING	8		C
5		91564-06055	SCREW	8	6*55	
6		M380-000160	LEAD WIRE	6		D
7		91564-06016	SCREW	10	6*16	
8		M100-000000	THERMOSTAT	2		C
9		91564-03012	SCREW	4	3*12	
10		M101-000170	THYRISTOR	2	PFT1014N	D
11		G363-000310	HARNESS,WIRE	1		C
12		M105-000230	RECTIFIER	2	PE1008N	D
13		91564-05016	SCREW	4	5*16	
14		M010-000010	CT COMP	1		D
15		V150-002660	CORE PLATE	1		C
16		91341-06025	SCREW	2	6*25	
17		C527-001180	STAY	1		D
18		M116-000000	REACTOR	2		D
19		V204-001720	BOLT,6	28	M6X16	C
20		V264-000220	FLANGE NUT	4		C
21		M110-000410	RESISTER	4		D
22		V150-004040	PLATE,EYE	2		C
23		G363-000270	HARNESS,WIRE	1		C
24		V150-004030	PLATE,EYE	1		C
25		V150-003230	PLATE,EYE	8		C
26		91034-08040	BOLT	1	8*40	
27		900602-00008	WASHER	1	8	
28		V265-000450	NUT,8	2		C
29		J420-000340	PLATE,ELECTRIC	1		
30		900182-04010	BOLT	4	4*10	
31		C557-000410	PLATE,PROTECTION	1	T 0.5	D
32		V494-000420	CAP	3		C
33		M471-000110	COVER	1		D
34		C154-000291	RECEPTACLE	2	16A250V	D
35		V252-000540	SCREW TAPPING	16		C
37		C154-000381	RECEPTACLE	2	16A 100-130V	D
38		M111-001400	BREAKER	1	FI-40/4/003	C
39		M010-000110	CT,ASM	1		D
40		C137-000140	CIRCUIT PROTECTOR	4		D
41		J139-000220	DUST COVER	1		
42		J139-000210	DUST COVER	2		
43		C527-001190	STAY	1		D
44		C527-001200	STAY	2		D
45		91461-04070	SCREW	2	4*70	

Class : Consumable class

A:Fast moving parts B:Semi-fast moving parts C:Slow moving parts D:Order only as needed

FIN



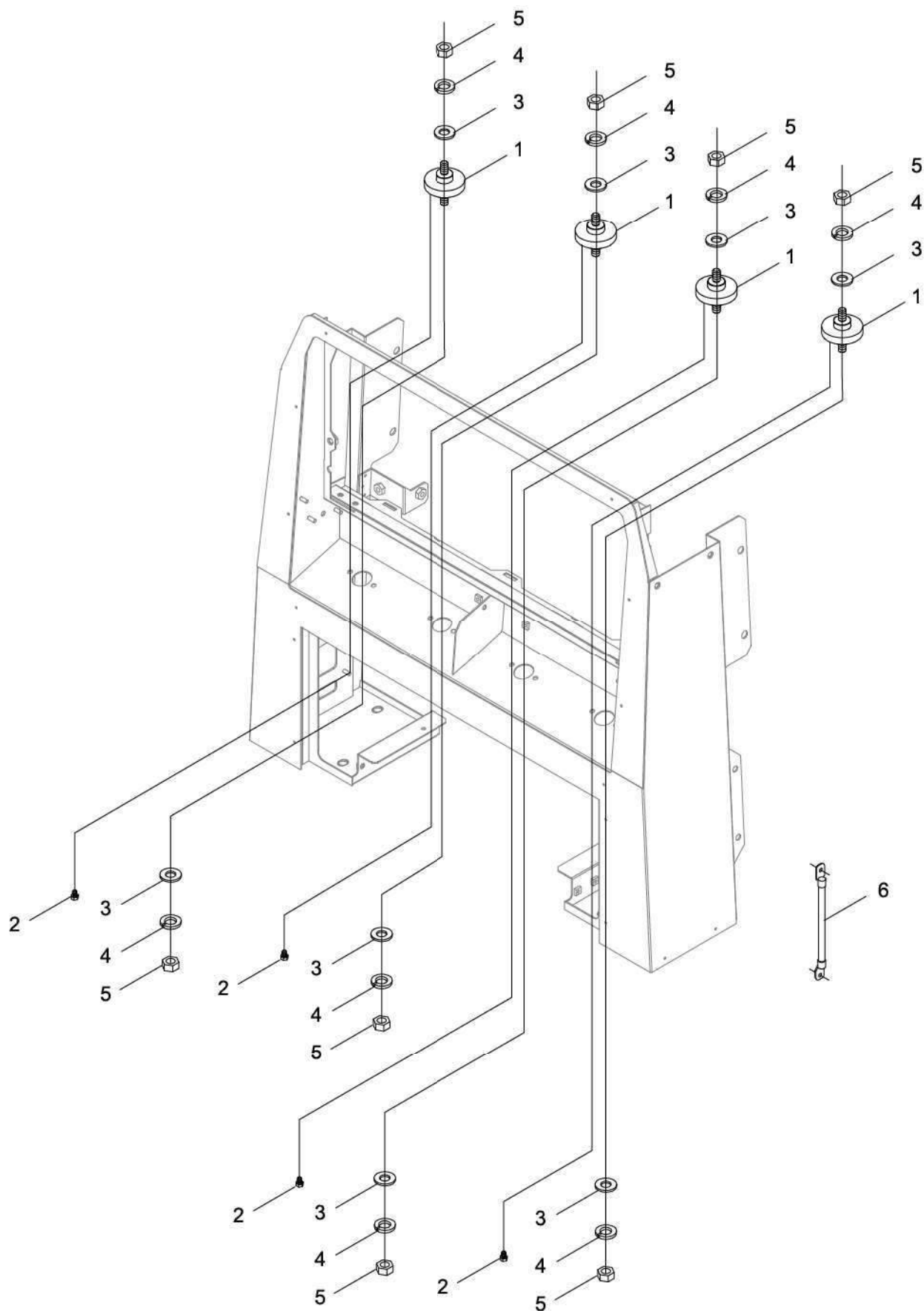
FIN

Key No.	LV (+)	Parts Number	Parts Description	Qty	Standard	Class
46		91564-04012	SCREW	4	4*12	
47		V204-001720	BOLT,6	4	M6X16	C

Class : Consumable class

A:Fast moving parts B:Semi-fast moving parts C:Slow moving parts D:Order only as needed

OUTPUT TERMINAL



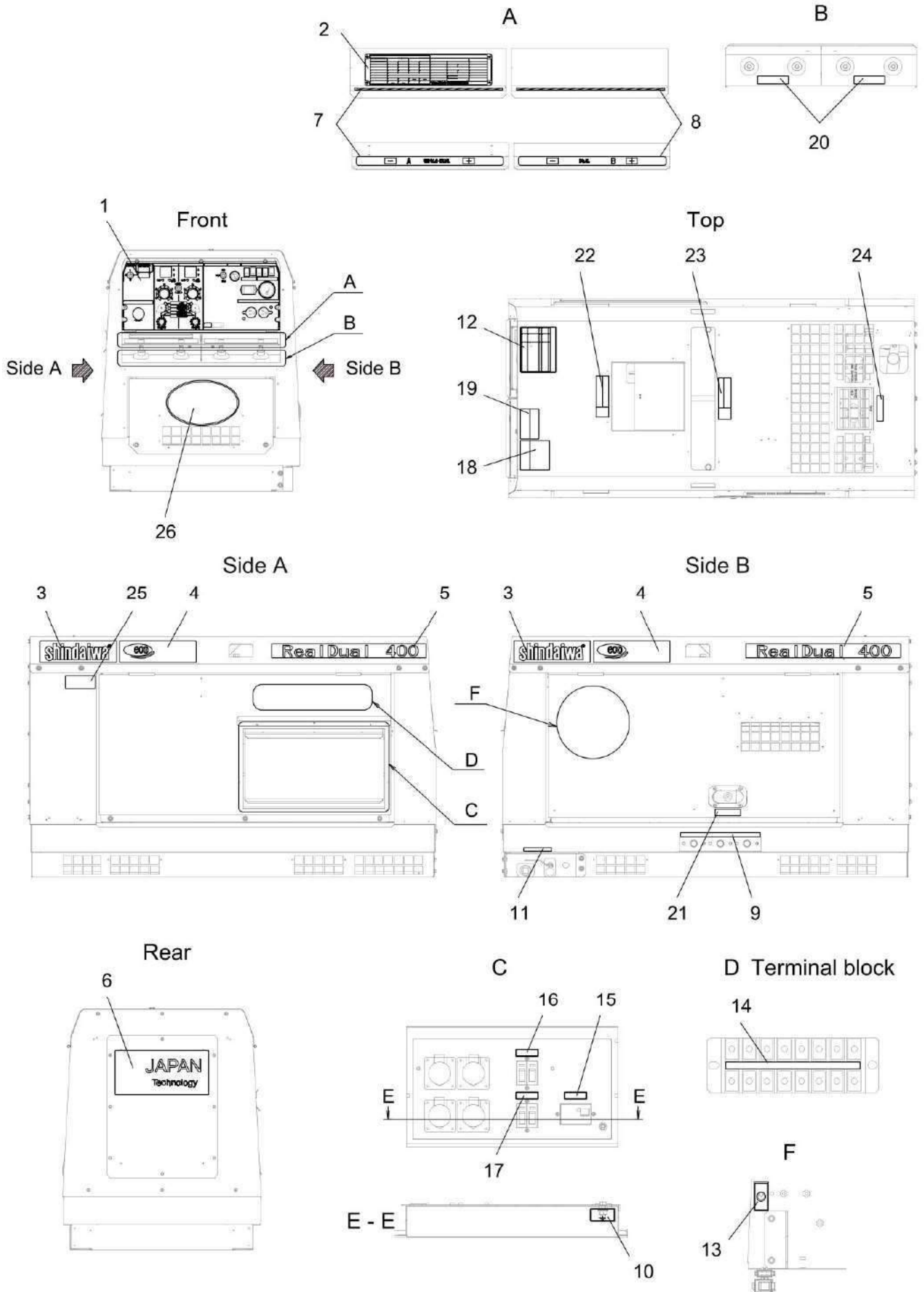
OUTPUT TERMINAL

Key No.	LV (+)	Parts Number	Parts Description	Qty	Standard	Class
1		M603-000010	TERMINAL REST	4		C
2		91031-05008	BOLT	8	5*8	
3		92227-12000	WASHER	8	12	
4		92237-12000	WASHER, SPRING	8	12	
5		92005-12000	NUT	8	12	
6		M386-000350	LEAD	1	38MM2 L580	D

Class : Consumable class

A:Fast moving parts B:Semi-fast moving parts C:Slow moving parts D:Order only as needed

LABEL



LABEL

Key No.	LV (+)	Parts Number	Parts Description	Qty	Standard	Class
1		X532-004300	LABEL,OPERATION	1		D
2		X533-001400	LABEL,SPEC	1		D
3		X504-006550	LABEL,BRAND	2		D
4		M705-000850	LABEL,FEATURE	2	ECO 76*270	D
5		M705-001021	LABEL,FEATURE	2	REALDUAL 400	D
6		M705-000980	LABEL,FEATURE	1	JAPAN TECHNOLOGY	D
7		M704-002340	LABEL,INST	1		D
8		M704-002350	LABEL,INST	1		D
9		M704-001520	LABEL INST	1		D
10		M704-001400	LABEL INST	1	BONNET GROUNDING	D
11		M707-000580	LABEL,INST	1		D
12		M707-000640	LABEL,INST	1	ERROR CODE	D
13		M704-000310	LABEL INST	1	HZ CHANGE	D
14		M707-000860	LABEL,INST	1		D
15		M704-002360	LABEL,INST	1		D
16		M707-000840	LABEL,INST	1		D
17		M707-000850	LABEL,INST	1		D
18		X505-007590	LABEL,CAUTION	1		D
19		X505-007600	LABEL,CAUTION	1		D
20		X505-007610	LABEL,CAUTION	2		D
21		X505-007630	LABEL,CAUTION	1	WARNING/INJURY	D
22		X505-007650	LABEL,CAUTION	1	WARNING/FIRE	D
23		X505-007550	LABEL,CAUTION	1	WARNING/INJURY	D
24		X505-007620	LABEL,CAUTION	1		D
25		X505-007660	LABEL,CAUTION	1		D
26		M705-001010	LABEL,FEATURE	1	REALDUAL	D

Class : Consumable class

A:Fast moving parts B:Semi-fast moving parts C:Slow moving parts D:Order only as needed