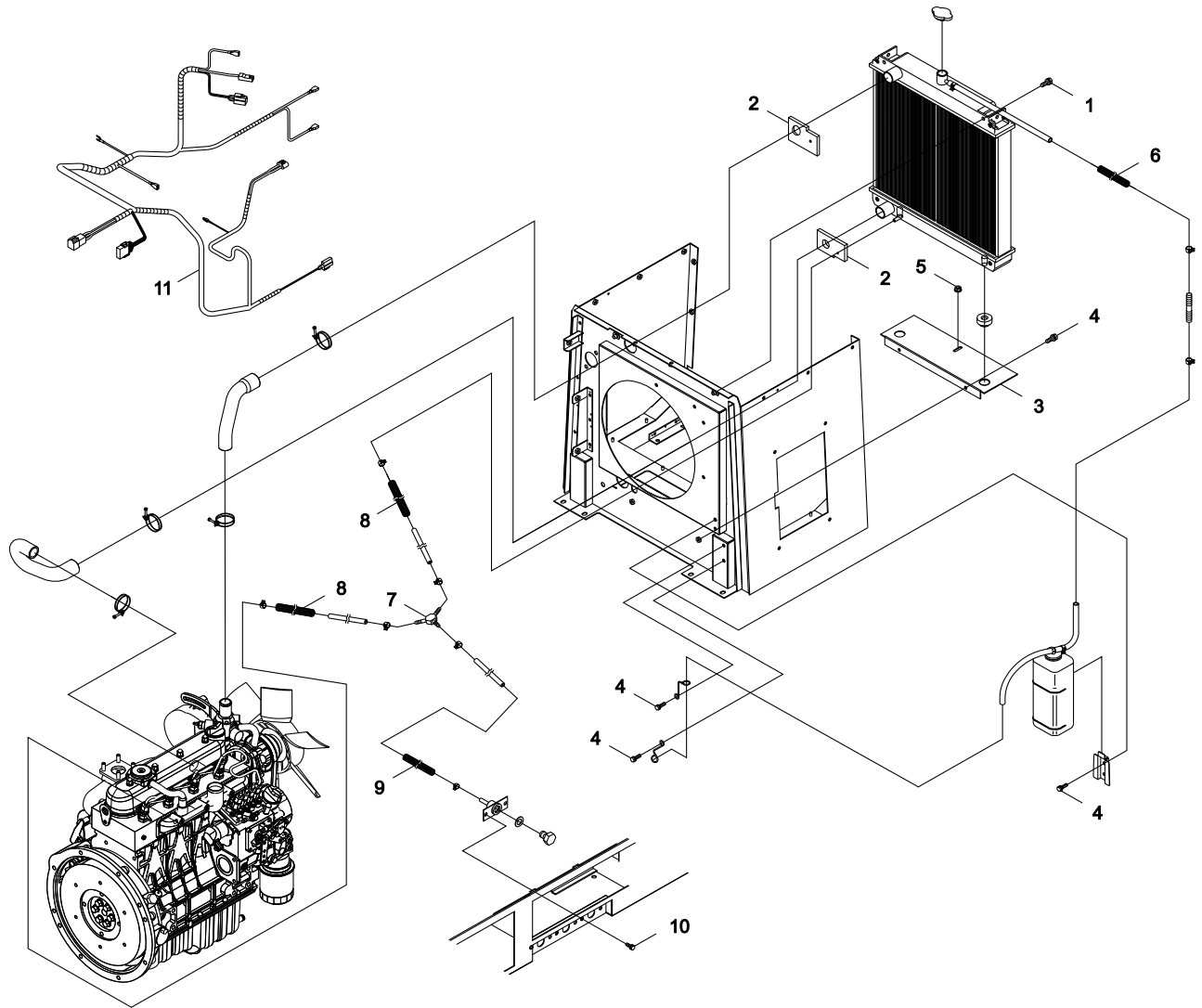


shindaiwa



1. RADIATOR RELATED PARTS

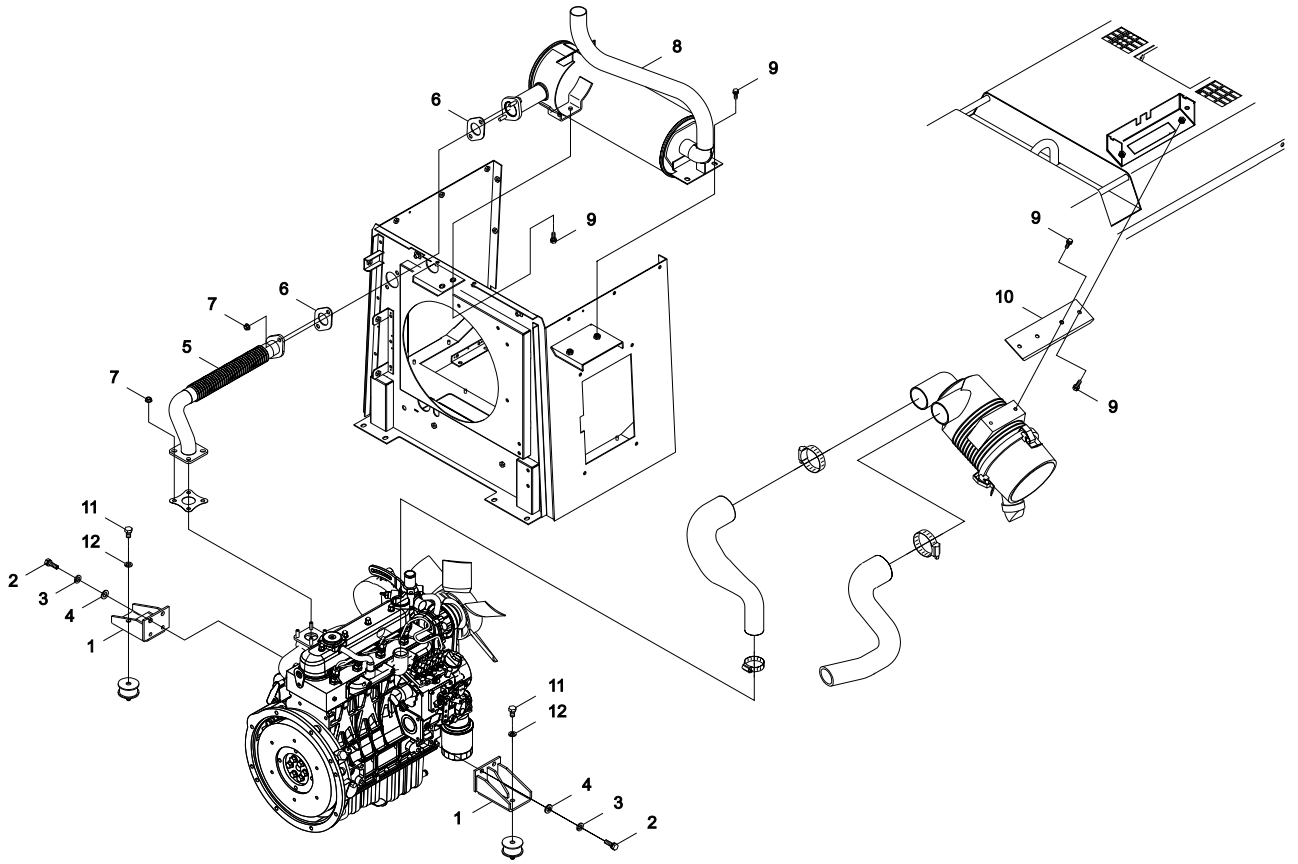
DGW500DM-200



KEY	LV	PART NUMBER	Q'TY	DESCRIPTION	REMARKS	NOTE1	NOTE2
1		900147-08030	2	BOLT, 8*30	8*30		
2		V418-000040	2	SPONGE			
3		C519-003110	1	RADIATOR STAY			
4		V204-001600	6	BOLT,6	M6*16		
5		V264-000220	1	FLANGE NUT			
6		V475-006130	1	TUBE			
7		M601-000080	1	JOINT			
8		V476-000270	2	TUBE			
9		V476-000290	1	TUBE			
10		V205-001120	2	BOLT,8	BM-8*20 W SW		
11		G362-000270	1	WIRING HARNESS			

2. MUFFLER

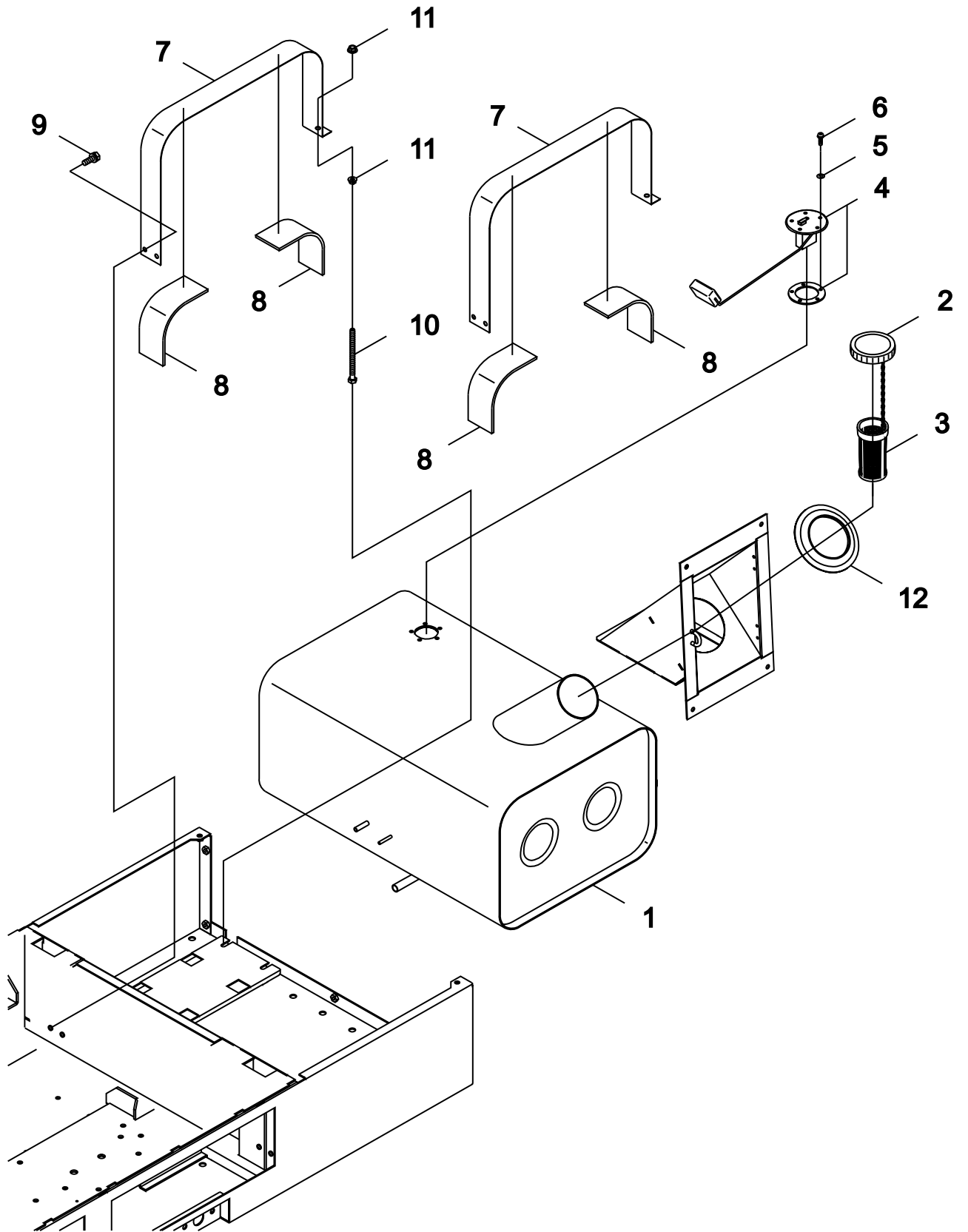
DGW500DM-200



KEY	LV	PART NUMBER	Q'TY	DESCRIPTION	REMARKS	NOTE1	NOTE2
1		G121-000430	2	STAY,ENGINE			
2		V206-000480	8	BOLT			
3		900605-00010	8	WASHER, SPRING 10	10		
4		900617-00010	8	WASHER 10	10(10.5*18*2)		
5		G231-000680	1	FLEXIBLE TUBE			
6		V104-001740	2	GASKET			
7		V265-000290	6	FLANGE NUT			
8		A300-001680	1	MUFFLER,EXHAUST			
9		900147-08020	8	BOLT 8*20	8*20		
10		G211-000300	1	STAY,CLEANER			
11		91000-12022	2	BOLT			
12		900605-00012	2	WASHER, SPRING 12	12		

3. FUEL TANK

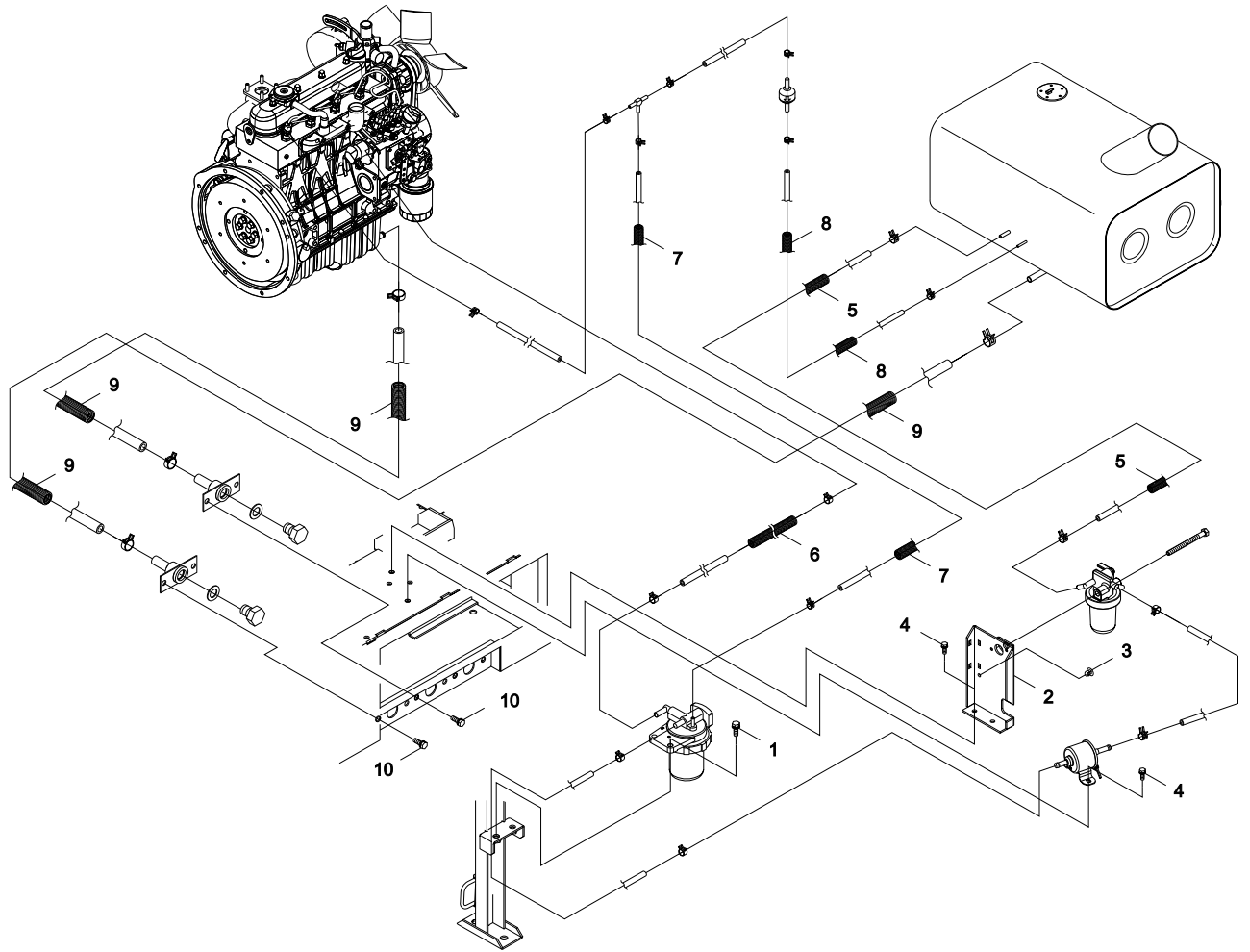
DGW500DM-200



KEY	LV	PART NUMBER	Q'TY	DESCRIPTION	REMARKS	NOTE1	NOTE2
1		G250-000450	1	FUEL TANK			
2		E111-000110	1	TANK CAP			
3		K329-000040	1	STRAINER			
4		E325-000100	1	FUEL GUAGE			
5		V500-000020	5	SEAL WASHER			
6		91463-05012	5	SCREW TRUSS			
7		E121-000060	2	BAND,TANK			
8		V420-003030	4	PAD			
9		V204-001600	4	BOLT,6	M6*16		
10		V205-000630	2	BOLT			
11		V265-000290	4	FLANGE NUT			
12		V145-000320	1	TANK BUSH			

4. ENGINE RELATED PARTS

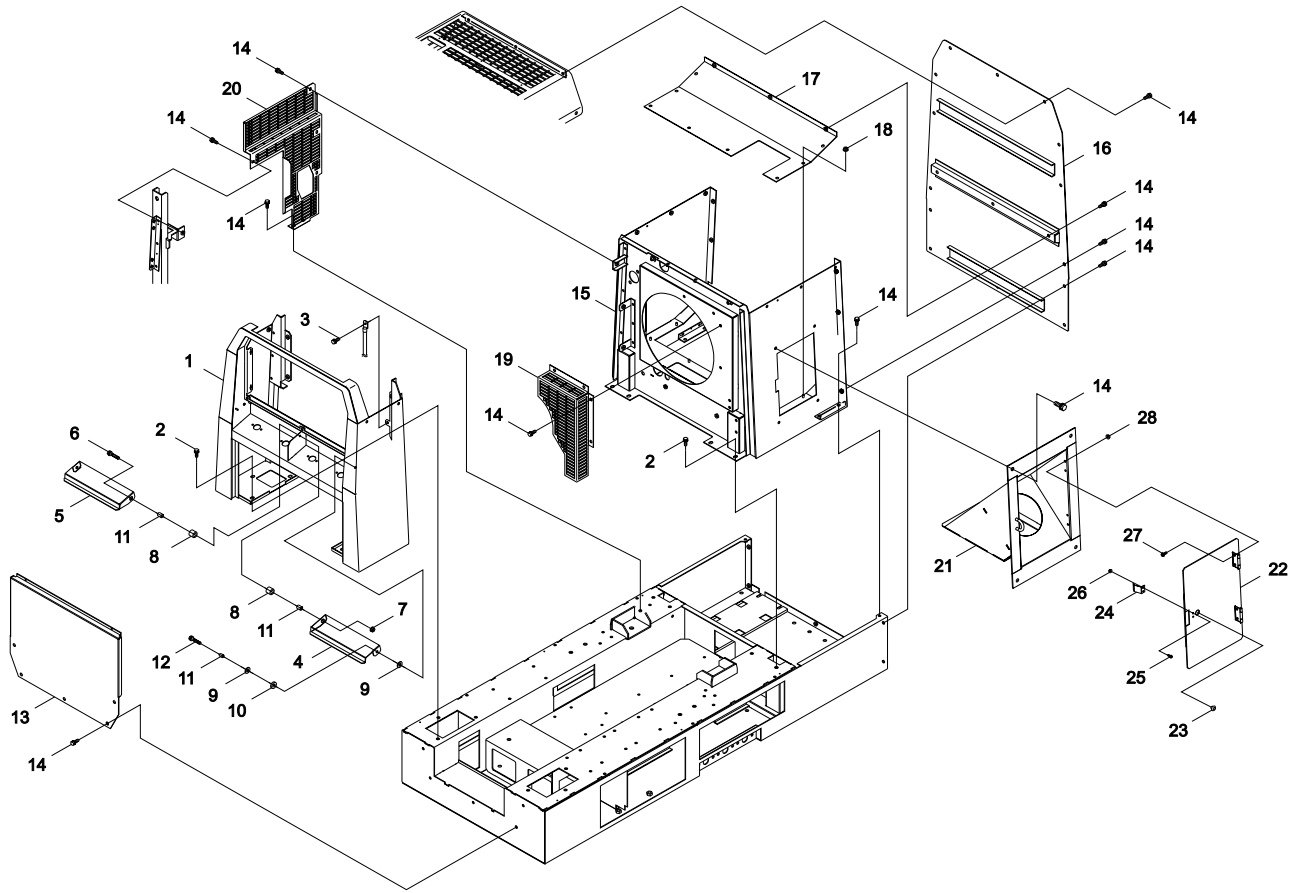
DGW500DM-200



KEY	LV	PART NUMBER	Q'TY	DESCRIPTION	REMARKS	NOTE1	NOTE2
1		900147-08025	2	BOLT, 8*25	8*25		
2		E617-000080	1	BRACKET,FILTER			
3		M416-000030	2	BAND STOPPER			
4		V204-001600	4	BOLT,6	M6*16		
5		V475-006230	1	TUBE			
6		V476-000270	1	TUBE			
7		V476-000210	1	TUBE			
8		V475-006240	1	TUBE			
9		V476-000280	2	TUBE			
10		V205-001120	4	BOLT,8	BM-8*20 W SW		

5. REAR COVER

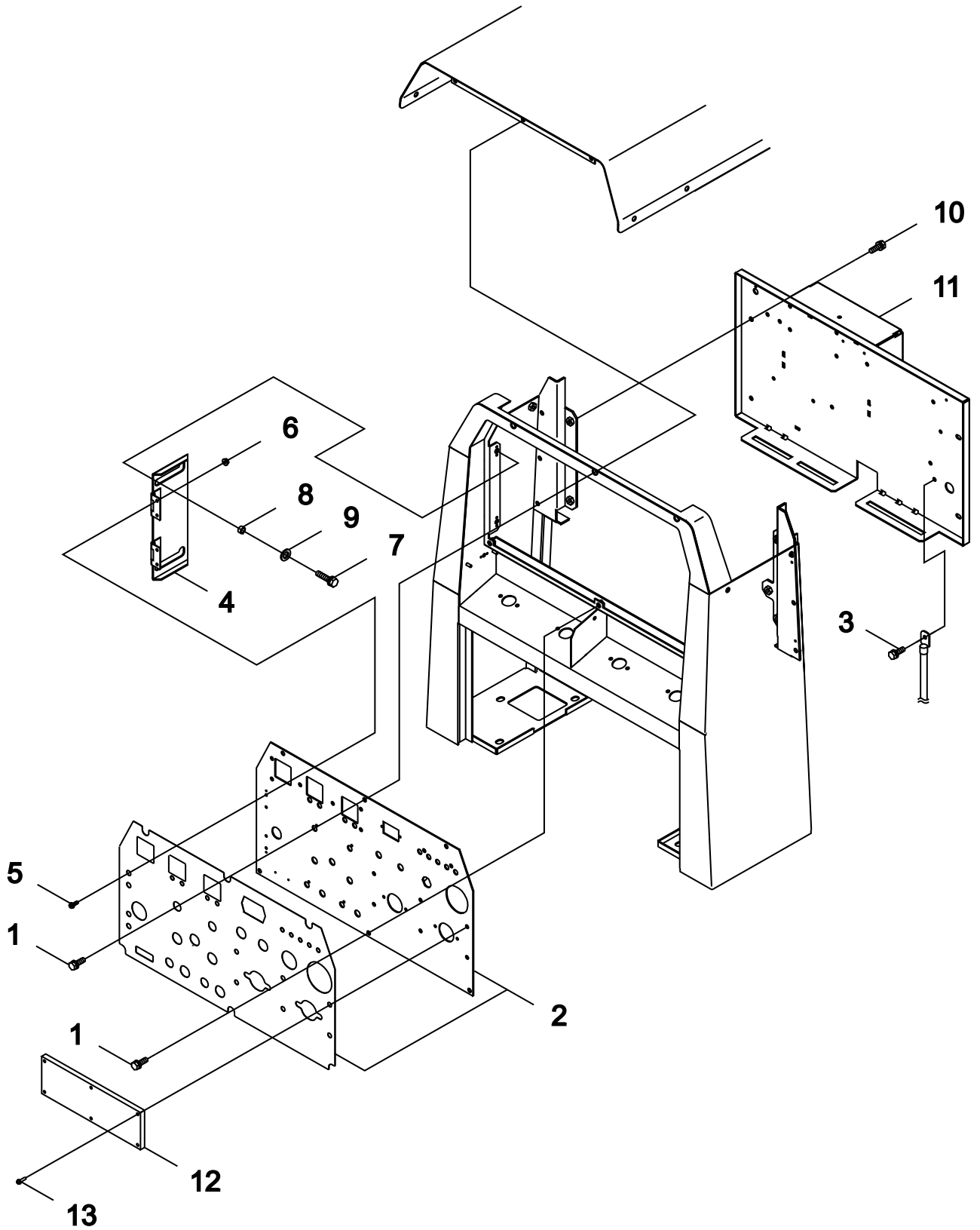
DGW500DM-200



KEY	LV	PART NUMBER	Q'TY	DESCRIPTION	REMARKS	NOTE1	NOTE2
1		J492-001420	1	FRONT COVER			
2		900147-08020	10	BOLT 8*20	8*20		
3		91036-06016	1	BOLT SW			
4		M470-001900	1	TERMINAL COVER RIGHT			
5		M470-001690	1	COVER			
6		91036-06030	1	BOLT SW			
7		V264-000220	1	FLANGE NUT			
8		V420-003170	2	RUBBER PIPE			
9		900602-00008	4	WASHER 8	8.4*17*1.6		
10		V420-003160	2	BUSH RUBBER			
11		V375-000480	4	COLLAR			
12		91036-06025	2	BOLT SW			
13		M465-000870	1	PANEL			
14		V204-001600	38	BOLT,6	M6*16		
15		J492-001770	1	BONNET			
16		M465-000890	1	PANEL			
17		M470-001490	1	COVER			
18		V264-000220	8	FLANGE NUT			
19		J447-000760	1	GUARD			
20		J447-000770	1	GUARD			
21		J447-000960	1	GUARD			
22		A354-000030	1	LID,FUEL TANK			
23	+	V420-003150	1	CUSHION			
24		C390-000010	1	TONGUE			
25		91564-03010	2	SCREW SPW			
26		V261-000010	2	FLANGE NUT			
27		91564-04012	4	SCREW SW			
28		V262-000190	4	FLANGE NUT			

6. OPERATION PANEL

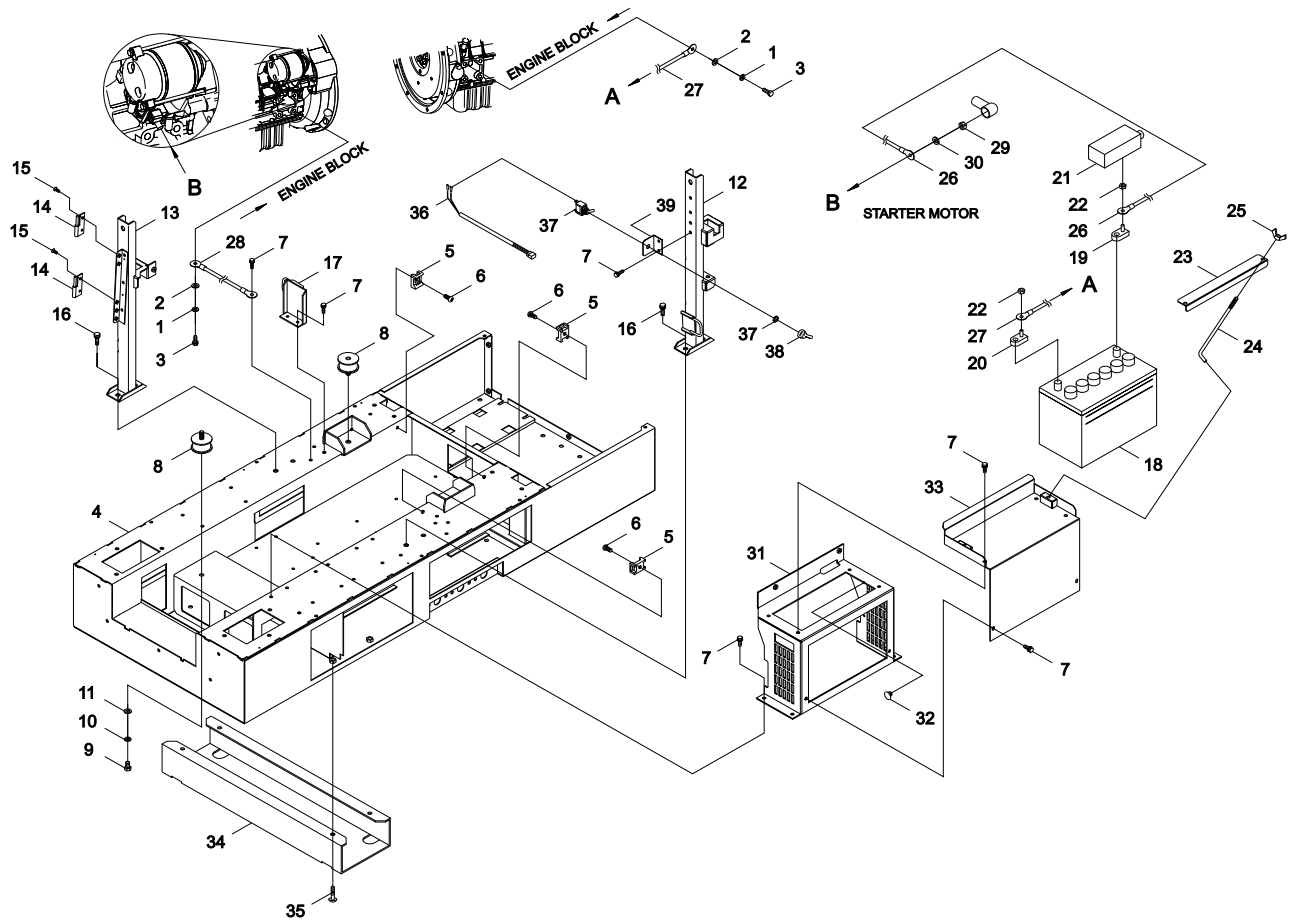
DGW500DM-200



KEY	LV	PART NUMBER	Q'TY	DESCRIPTION	REMARKS	NOTE1	NOTE2
1		V204-001610	6	BOLT,6	M6*16SPW(+		
2		C165-000010	1	PANEL,OPERATION			
3		91037-05012	1	BOLT SPW			
4		C519-005110	1	STAY			
5		91566-04012	4	SCREW SPW			
6		V262-000190	4	FLANGE NUT			
7		900147-08025	2	BOLT, 8*25	8*25		
8		V355-000530	2	COLLAR			
9		900617-00010	2	WASHER 10	10(10.5*18*2)		
10		V204-001600	4	BOLT,6	M6*16		
11		M465-000770	1	PANEL			
12		J425-002690	1	PANEL			
13		91564-04016	6	SCREW SPW			

7. FRAME

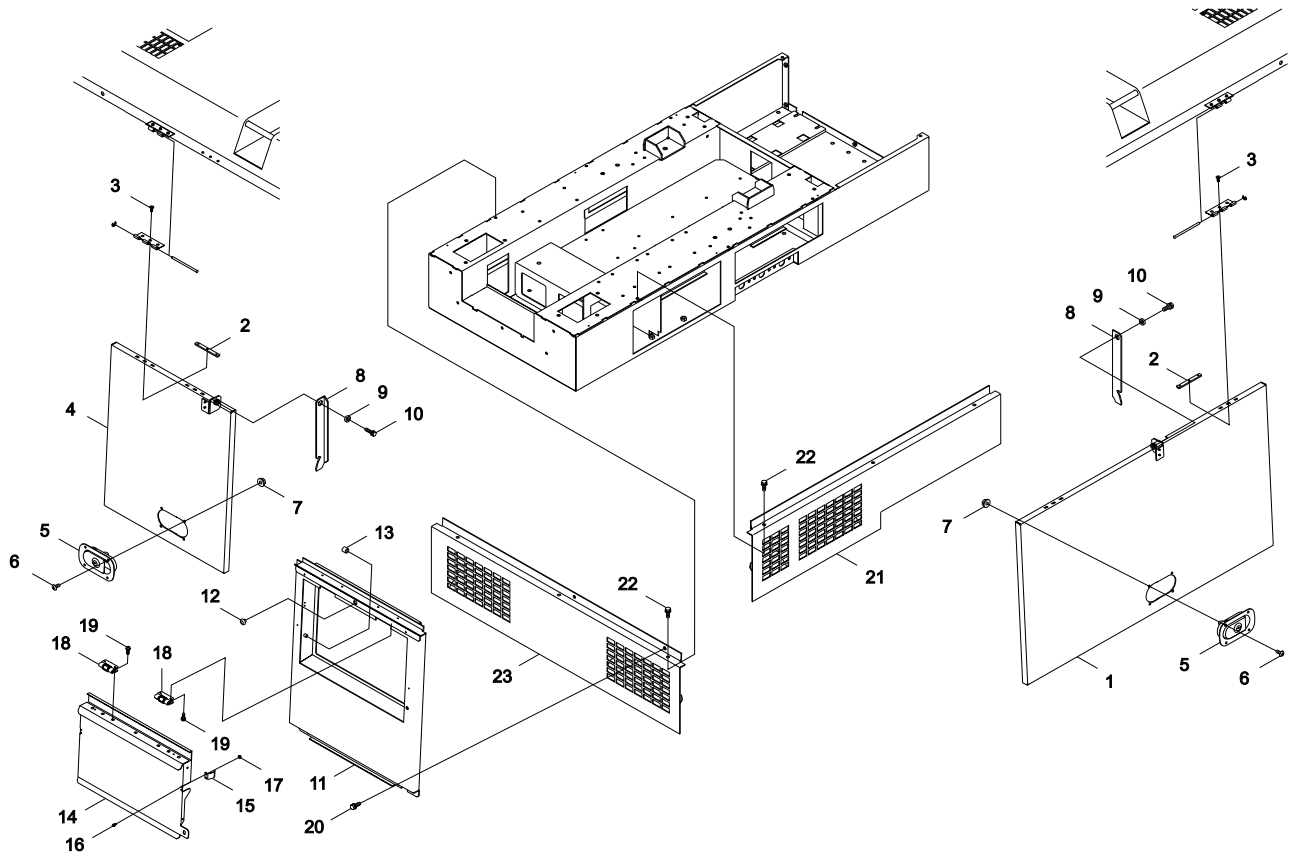
DGW500DM-200



KEY	LV	PART NUMBER	Q'TY	DESCRIPTION	REMARKS	NOTE1	NOTE2
1		900605-00010	2	WASHER, SPRING 10	10		
2		900617-00010	2	WASHER 10	10(10.5*18*2)		
3		91010-10016	2	BOLT			
4		J405-001410	1	BED			
5		M416-000020	3	TIE MOUNT			
6		91461-06012	3	SCREW			
7		V204-001600	15	BOLT,6	M6*16		
8		V420-003140	4	AV RUBBER			
9		91000-12022	2	BOLT			
10		900605-00012	2	WASHER, SPRING 12	12		
11		900617-00012	2	WASHER 12	12(13*21*2.5)		
12		J415-000400	1	STAY,BONNET			
13		J415-000410	1	STAY,BONNET			
14		J485-000310	2	HINGE			
15		900212-04010	4	SCREW 4*10	+SF4*10		
16		900147-10025	4	BOLT	10*25SW,W		
17		V152-003310	1	PLATE,ANGLE			
18		V481-000160	1	BATTERY 75D31R			
19		V486-000240	1	TERMINAL			
20		V486-000290	1	TERMINAL			
21		G305-000030	1	TERMINAL CAP			
22		V265-000310	2	NUT			
23		G303-000360	1	HOLDER,BATTERY			
24		V240-000150	2	BOLT BATTERY			
25		92190-08000	2	WING NUT			
26		M383-000050	1	LEAD			
27		M384-000000	1	LEAD WIRE			
28		M383-000080	1	LEAD			
29		900500-00008	1	NUT 8	8*P1.25		
30		900605-00008	1	WASHER, SPRING 8	8		
31		G300-000180	1	BATTERY BED			
32		M416-000030	2	BAND STOPPER			
33		C123-000080	1	BATTERY TRAY			
34		C619-000130	2	BASE			
35		91142-10025	8	SCREW BUTTON			
36		G363-000190	1	HARNESS,WIRE			
37		A045-000510	1	TOGGLE SWITCH			
38		V494-000460	1	CAP			
39		G393-000210	1	STAY,SWITCH			

8. DOOR

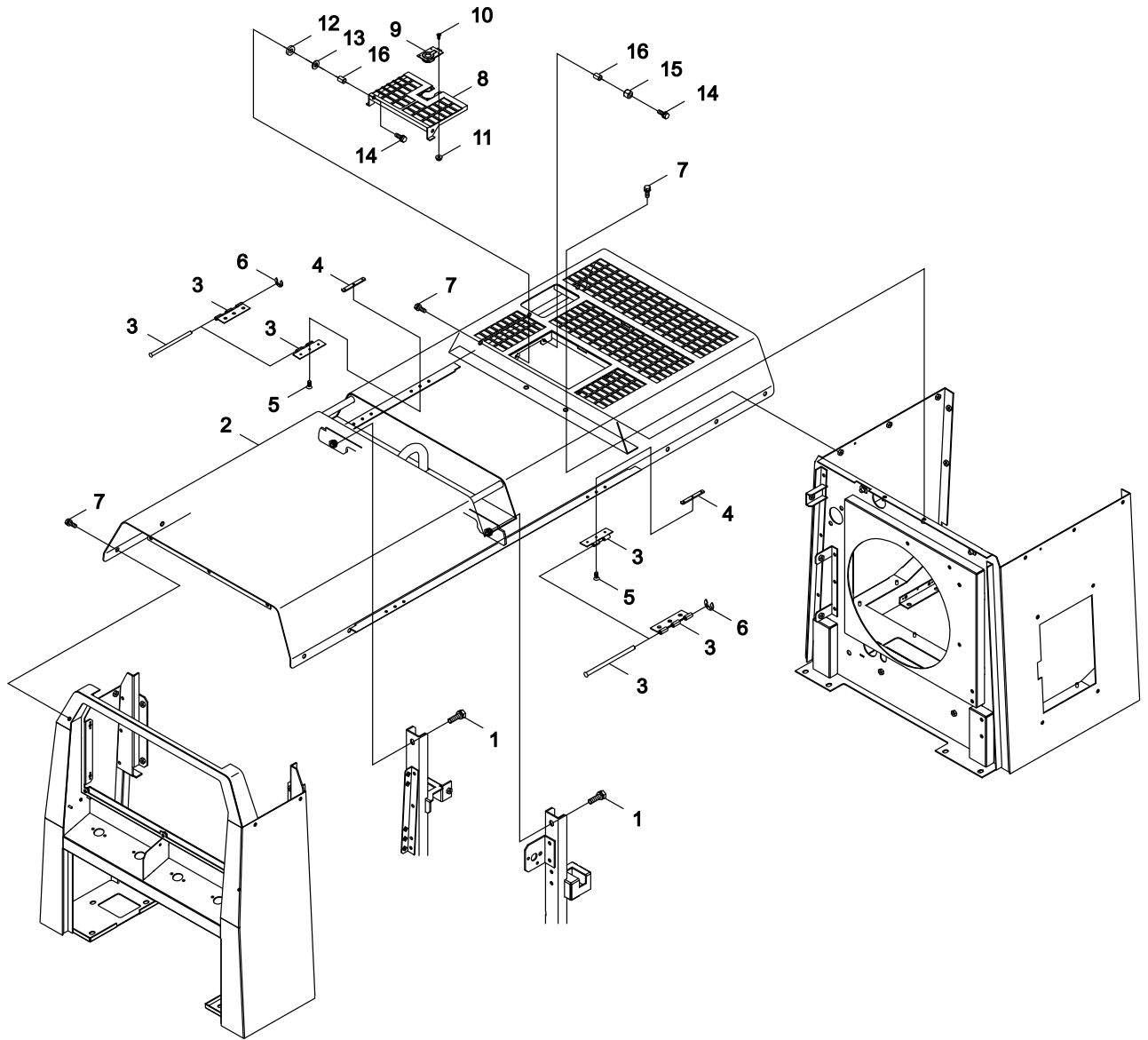
DGW500DM-200



KEY	LV	PART NUMBER	Q'TY	DESCRIPTION	REMARKS	NOTE1	NOTE2
1		M406-001380	1	DOOR,RIGHT			
2		V150-002620	4	TAPPING PLATE			
3		900212-04010	12	SCREW 4*10	+SF4*10		
4		M404-000990	1	DOOR,LEFT			
5		C701-000400	2	LOCK COVER			
6		900209-05010	8	SCREW, 5*10	5*10		
7		V263-000330	8	FLANGE NUT			
8		G257-000640	2	STOPPER			
9		V375-000460	2	COLLAR			
10		900147-08020	2	BOLT 8*20	8*20		
11		M465-001100	1	PANEL			
12	+	V420-003150	1	CUSHION			
13		V420-003170	2	RUBBER PIPE			
14		M470-002350	1	COVER			
15		C390-000010	2	TONGUE			
16		91564-03010	4	SCREW SPW			
17		V261-000010	4	FLANGE NUT			
18		J485-000490	2	HINGE	TM-171-V1		
19		91566-04012	8	SCREW SPW			
20		V204-001600	3	BOLT,6	M6*16		
21		C603-000450	1	SIDE PLATE R			
22		V204-001610	6	BOLT,6	M6*16SPW(+		
23		C603-000460	1	SIDE PLATE L			

9. BONNET

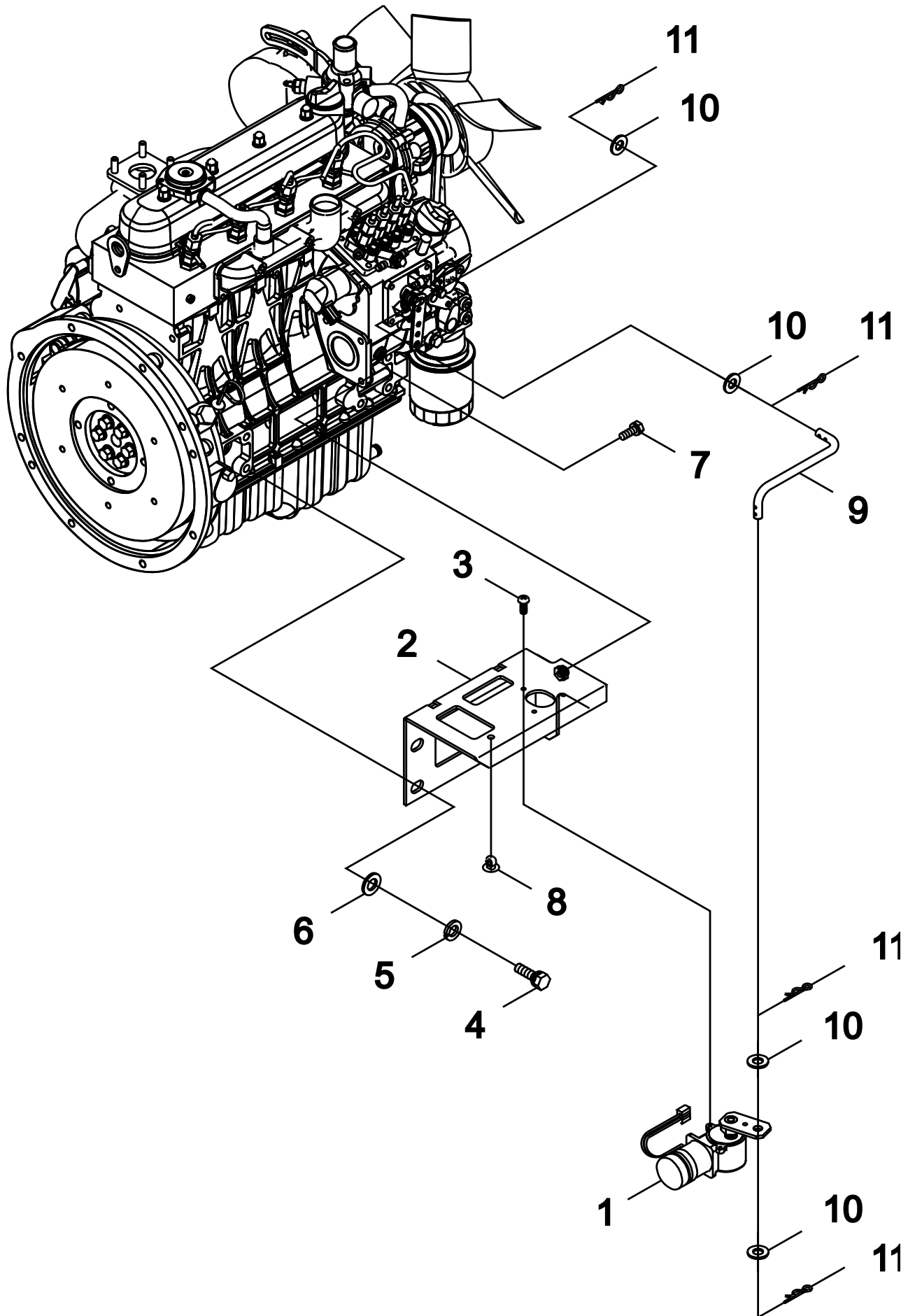
DGW500DM-200



KEY	LV	PART NUMBER	Q'TY	DESCRIPTION	REMARKS	NOTE1	NOTE2
1		900147-10025	2	BOLT	10*25SW,W		
2		J492-001441	1	BONNET			
3	+	J485-000610	4	HINGE			
4	+	V150-002620	4	TAPPING PLATE			
5	+	900212-04010	12	SCREW 4*10	+SF4*10		
6	+	900703-00004	4	E-RING 4 SUS	CE-4 SUS		
7		V204-001600	12	BOLT,6	M6*16		
8		J480-000750	1	LID,COVER			
9		C390-000050	1	LATCH			
10		91308-03012	4	SCREW			
11		V261-000010	4	FLANGE NUT			
12		V420-003160	2	BUSH RUBBER			
13		900602-00008	2	WASHER 8	8.4*17*1.6		
14		91036-06025	4	BOLT SW			
15		V420-003170	2	RUBBER PIPE			
16		V375-000480	4	COLLAR			

10. MOTOR

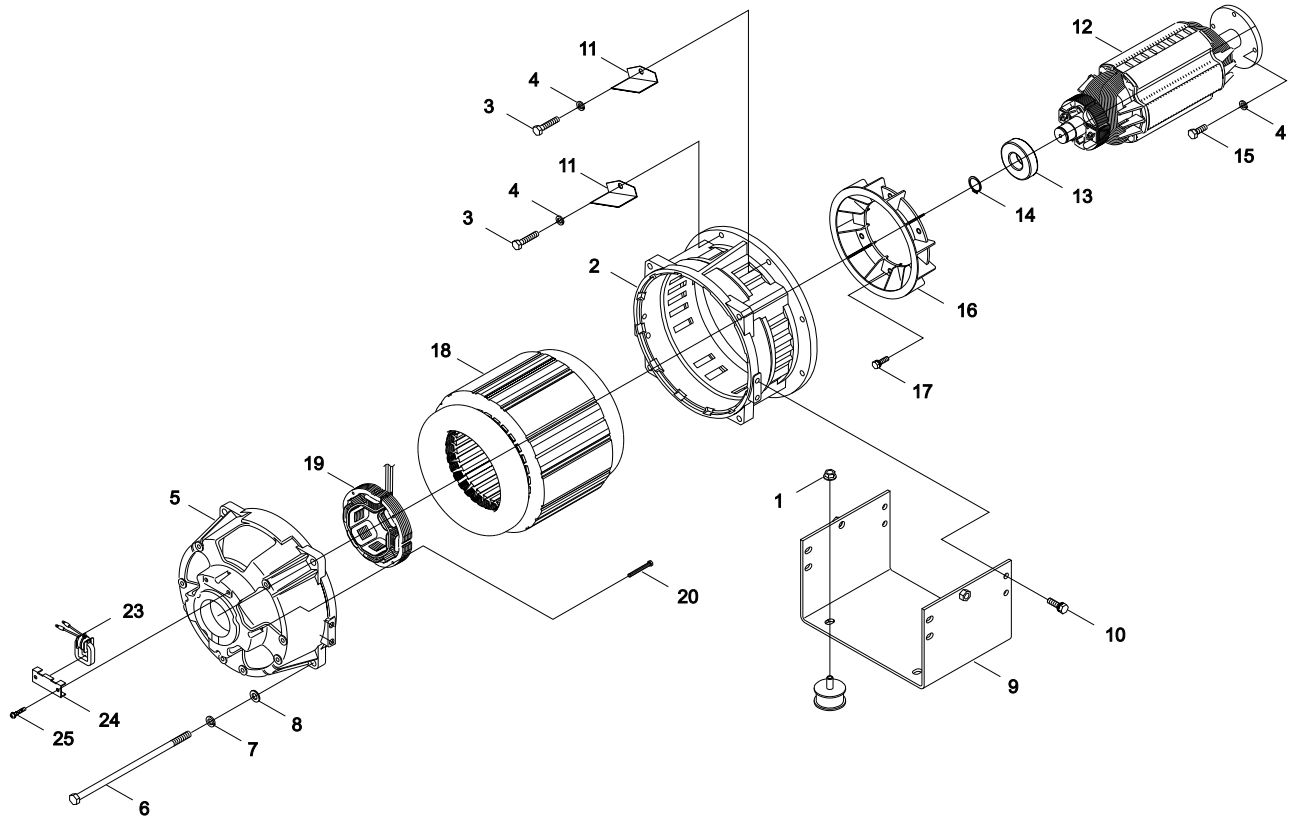
DGW500DM-200



KEY	LV	PART NUMBER	Q'TY	DESCRIPTION	REMARKS	NOTE1	NOTE2
1		G280-000160	1	MOTOR COMP			
2		C519-005120	1	STAY			
3		91564-03016	3	SCREW SW			
4		91010-10016	2	BOLT			
5		900605-00010	2	WASHER, SPRING 10	10		
6		900617-00010	2	WASHER 10	10(10.5*18*2)		
7		91036-06030	1	BOLT SW			
8		M416-000030	1	BAND STOPPER			
9		C454-000420	1	ROD			
10		900602-00008	4	WASHER 8	8.4*17*1.6		
11		93003-08000	4	SNAP PIN			

11. ROTOR

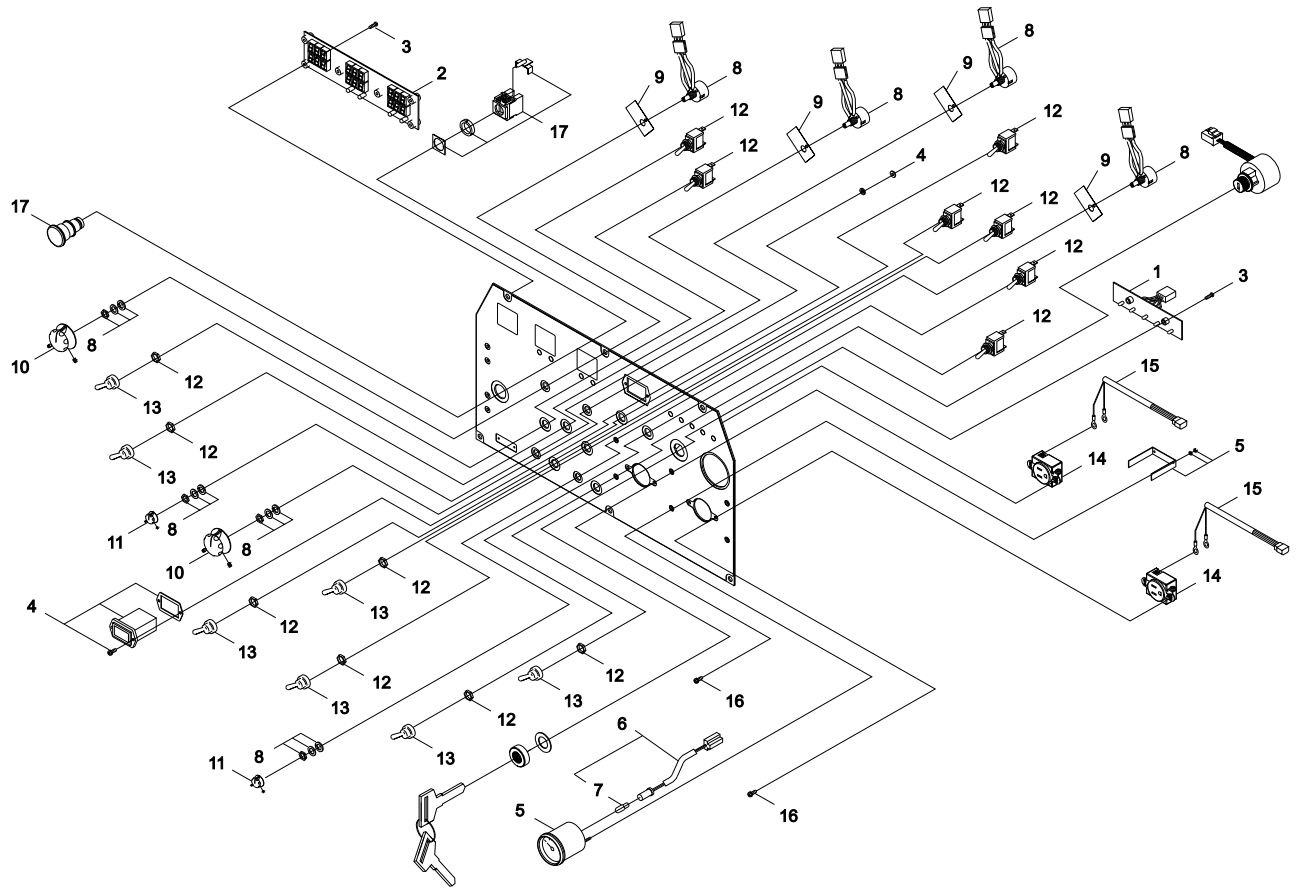
DGW500DM-200



KEY	LV	PART NUMBER	Q'TY	DESCRIPTION	REMARKS	NOTE1	NOTE2
1		V268-000060	2	FLANGE NUT			
2		M305-000080	1	FRONT BRACKET			
3		91027-10025	8	BOLT			
4		900605-00010	12	WASHER, SPRING 10	10		
5		M305-000090	1	REAR BRACKET			
6		V207-000250	4	BOLT,12			
7		900605-00012	4	WASHER, SPRING 12	12		
8		900617-00012	4	WASHER 12	12(13*21*2.5)		
9		C519-003700	1	STAY			
10		91024-10030	8	BOLT	BM-10*30/W,SW		
11		A565-000090	2	BAFFLE			
12		M102-000280	1	ROTOR			
13		V592-000200	1	BEARING			
14		92423-34000	1	SNAP RING			
15		91014-10030	4	BOLT	B-10*1.25*30 8.8		
16		A171-000090	1	FAN			
17		900147-08025	6	BOLT, 8*25	8*25		
18		M106-001020	1	STATOR			
19		M106-001070	1	STATOR			
20		91024-05040	4	BOLT			
23		M010-000010	1	CT COMP			
24		V150-002660	1	CORE PLATE			
25		91341-06025	2	SCREW SW			

12. CONTROL UNIT

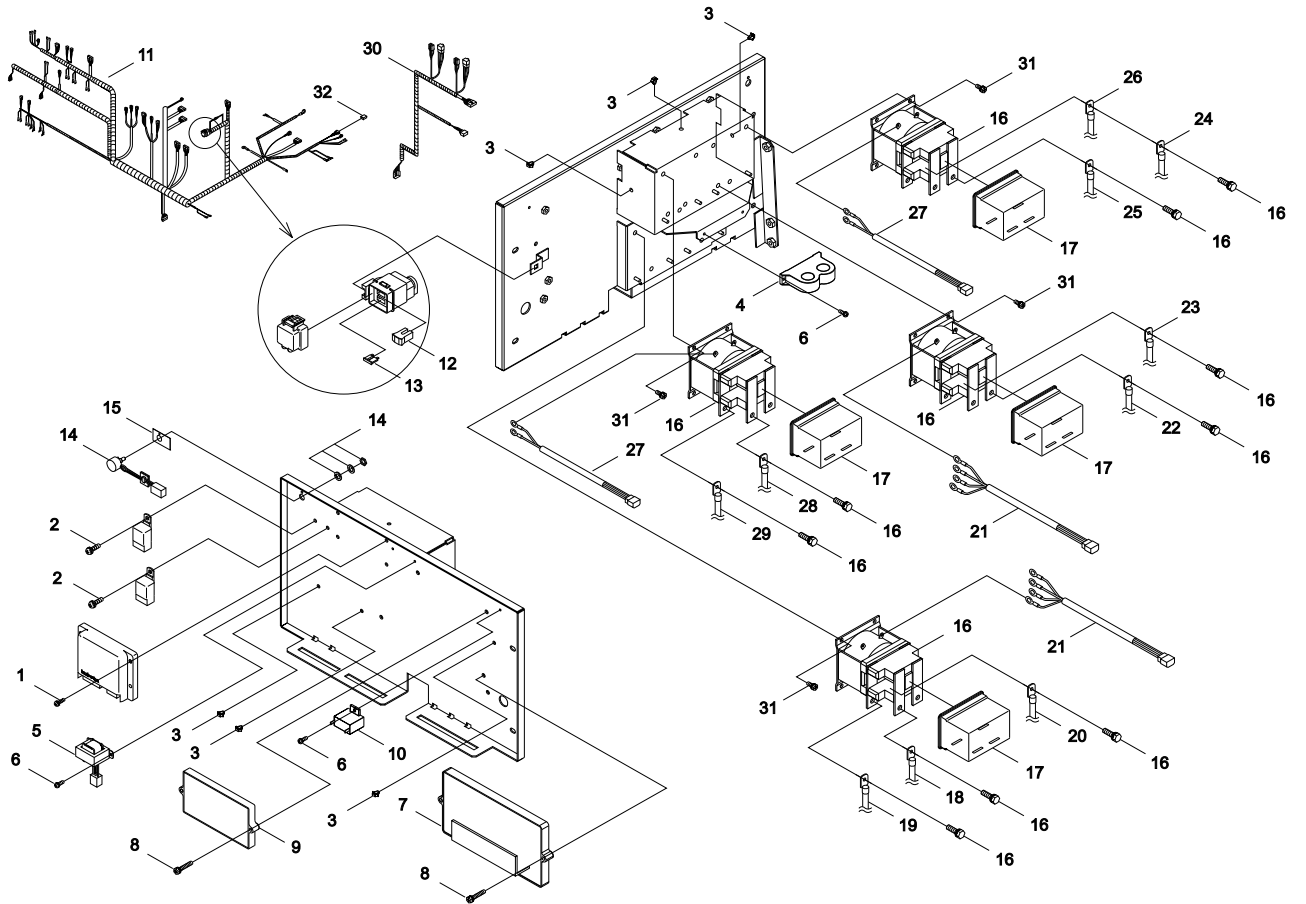
DGW500DM-200



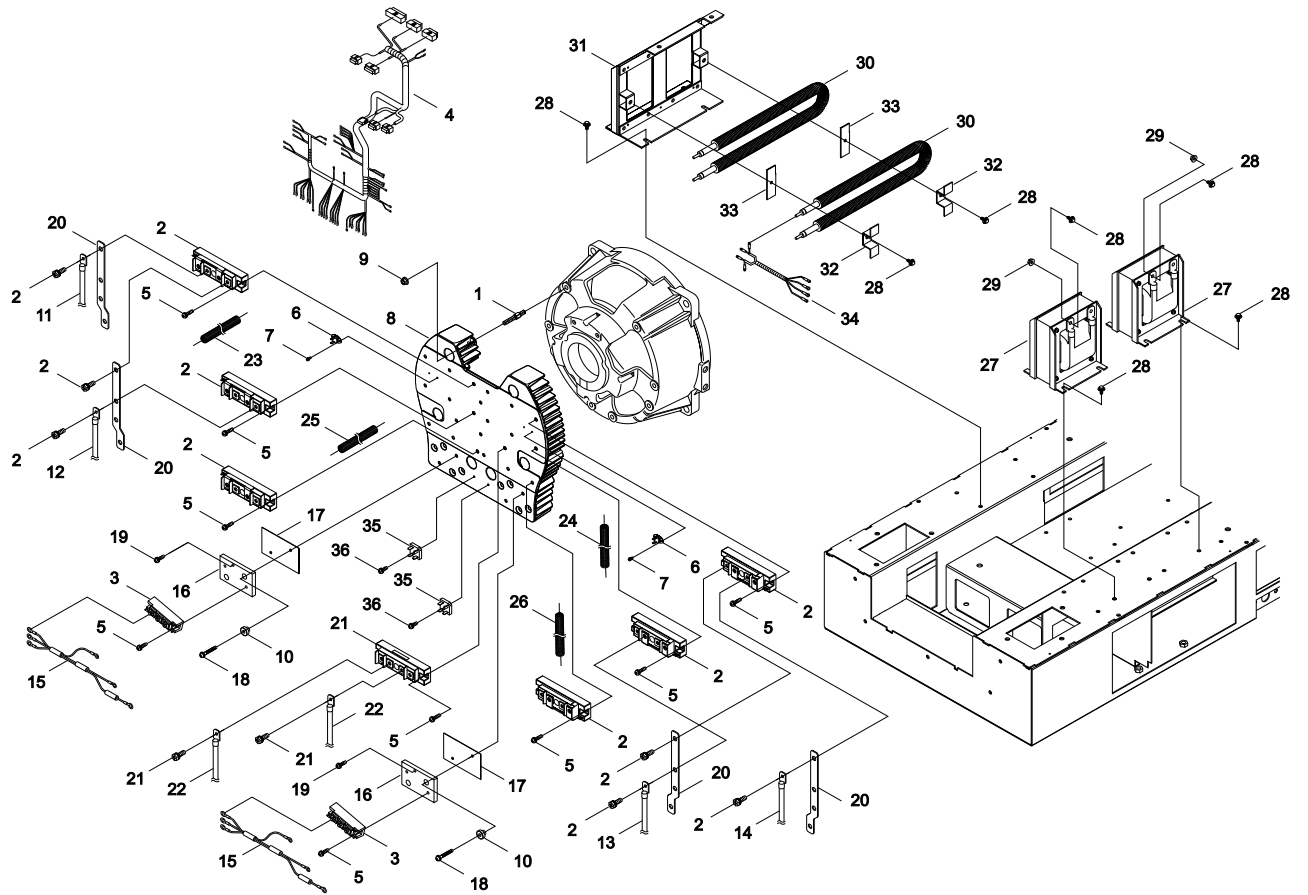
KEY	LV	PART NUMBER	Q'TY	DESCRIPTION	REMARKS	NOTE1	NOTE2
1		C124-000060	1	PRINT CIRCUIT			
2		C124-000110	1	PRINTED CIRCUIT			
3		91461-04014	8	SCREW			
4		G319-000060	1	HOUR METER			
5		G318-000010	1	FUEL METER			
6		G327-000340	1	LAMP ASSY			
7	+	G327-000330	1	PILOT LAMP			
8		M112-000030	4	VOLUME COMP			
9		M702-000050	4	INS PAPER			
10		E145-000070	2	DIAL			
11		E145-000080	2	DIAL			
12		A045-000510	7	TOGGLE SWITCH			
13		V494-000460	7	CAP			
14		C154-000460	2	SOCKET			
15		G362-000330	2	WIRING HARNESS			
16		91561-04008	4	SCREW SW			
17		G334-000870	1	SWITCH			

13. ELECTRICAL EQUIPMENT, HARNESS

DGW500DM-200

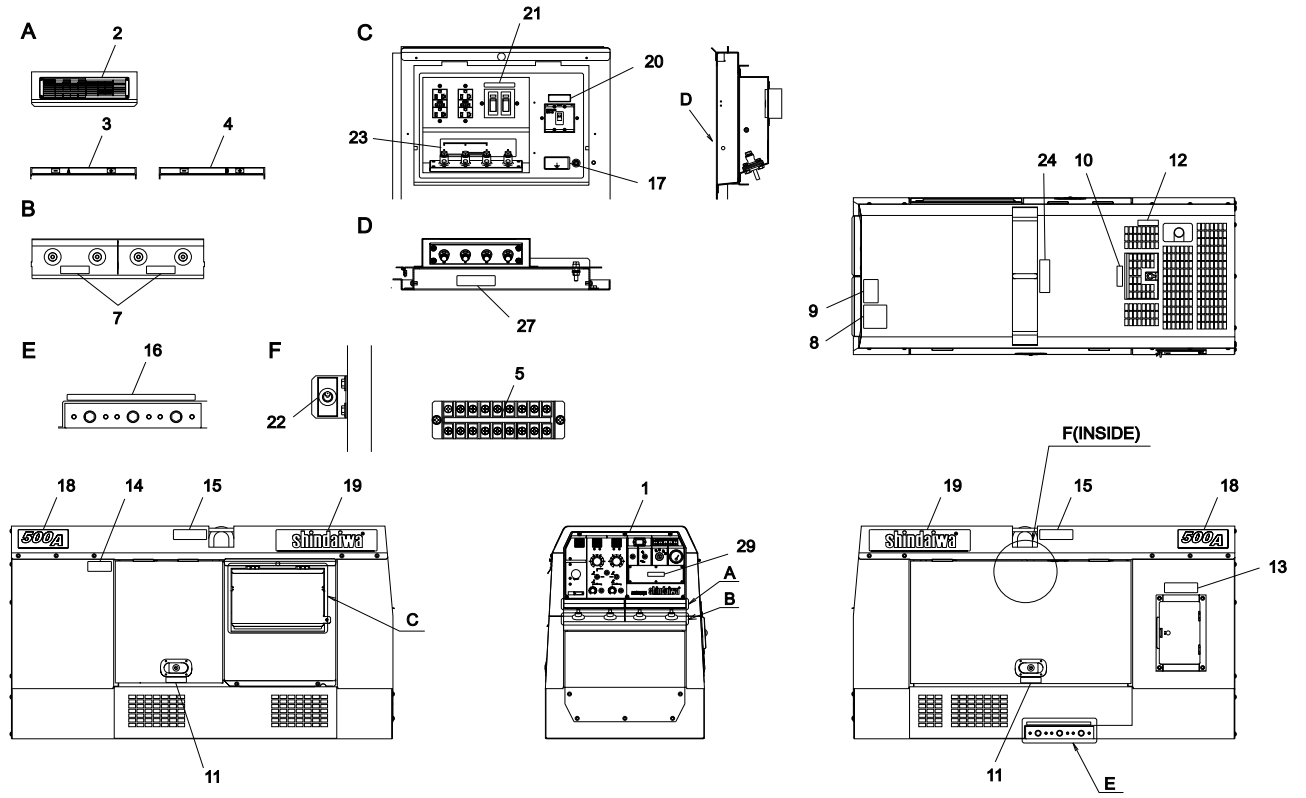


KEY	LV	PART NUMBER	Q'TY	DESCRIPTION	REMARKS	NOTE1	NOTE2
1		91564-05020	4	SCREW SW			
2		91564-05016	2	SCREW SW			
3		M416-000070	6	STOPPER,BAND			
4		M108-000060	1	CT			
5		C163-000010	1	TRANSFORMER COMP			
6		91397-04012	5	SCREW TAPPING			
7		G370-001710	1	UNIT,CONTROL			
8		91036-05025	4	BOLT SW			
9		G370-000770	1	PRINTED CIRCUIT			
10		A403-000350	1	CONDENSER	EEC2D106HZA405		
11		G031-004040	1	HARNESS,WIRE			
12	+	G350-000380	1	FUSE			
13	+	G350-000400	1	FUSE			
14		M112-000030	1	VOLUME COMP			
15		M702-000050	1	INS PAPER			
16		G334-000850	4	MAGNET SWITCH			
17		J139-000180	4	DUST COVER			
18		M383-000120	1	LEAD			
19		M383-000130	1	LEAD			
20		M383-000140	1	LEAD			
21		G362-000290	2	WIRING HARNESS			
22		M383-000150	1	LEAD			
23		M383-000160	1	LEAD			
24		M383-000170	1	LEAD			
25		M383-000180	1	LEAD			
26		M383-000190	1	LEAD			
27		G360-000750	2	WIRING HARNESS			
28		M383-000200	1	LEAD			
29		M383-000230	1	LEAD			
30		G362-000300	1	WIRING HARNESS			
31		91037-05012	12	BOLT SPW			



KEY	LV	PART NUMBER	Q'TY	DESCRIPTION	REMARKS	NOTE1	NOTE2
1		V224-000060	6	STUD BOLT			
2		M101-000060	6	THYRISTOR			
3		M101-000000	2	THYRISTOR			
4		G362-000241	1	HARNESS,WIRE			
5		91564-06020	25	SCREW SW			
6		M100-000010	2	THERMOSTAT			
7		91461-03006	4	SCREW			
8		M615-000040	1	STACK FIN			
9		V265-000150	6	NUT,8			
10		V376-001460	4	INS RING			
11		M383-000090	1	LEAD			
12		M383-000210	1	LEAD			
13		M383-000100	1	LEAD			
14		M383-000110	1	LEAD			
15		G362-000250	2	WIRING HARNESS			
16		A471-000410	2	STACK PLATE			
17		C557-000230	2	SHEET			
18		91564-06025	4	SCREW SW			
19		91564-06012	2	SCREW SW			
20		V150-002780	4	BUS BAR			
21		M105-000130	1	RECTIFIER			
22		M383-000220	2	LEAD			
23		V475-006290	1	TUBE			
24		V475-006250	1	TUBE			
25		V475-006260	1	TUBE			
26		V475-006130	1	TUBE			
27		M116-000040	2	REACTOR			
28		V204-001600	18	BOLT,6	M6*16		
29		V264-000220	4	FLANGE NUT			
30		M110-000090	2	RESISTOR			
31		C519-005130	1	STAY			
32		V150-003230	2	PLATE,EYE			
33		V150-003150	2	PLATE,EYE			
34		G362-000260	1	WIRING HARNESS			
35		M105-000000	2	RECTIFIER			
36		91564-04020	2	SCREW SPW			

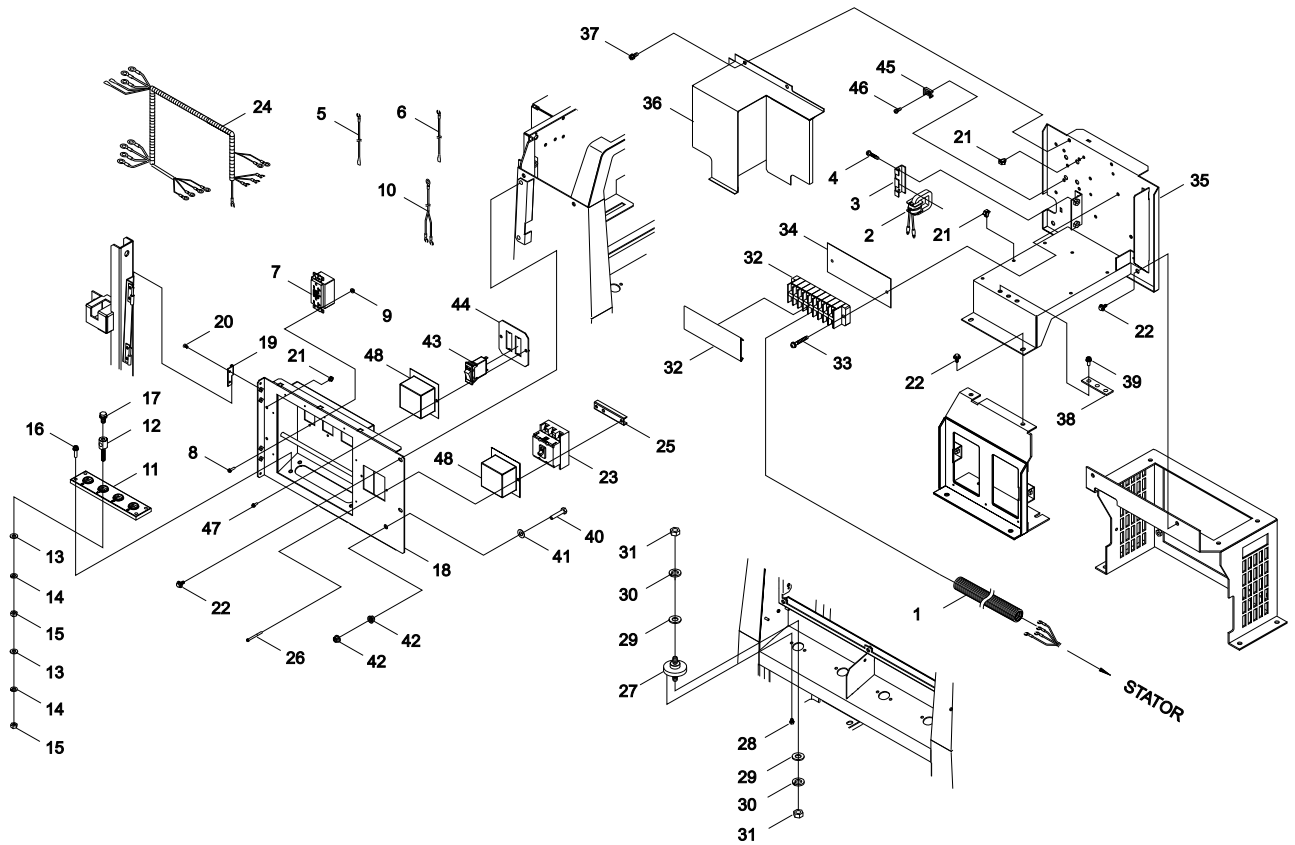
15. LABEL



KEY	LV	PART NUMBER	Q'TY	DESCRIPTION	REMARKS	NOTE1	NOTE2
1		X532-003660	1	LABEL,OPERATION			
2		X533-001060	1	LABEL,SPEC			
3		M704-002340	1	LABEL,INST			
4		M704-002350	1	LABEL,INST			
5		M704-002130	1	LABEL,INST			
7		X505-007610	2	LABEL,CAUTION			
8		X505-007590	1	LABEL,CAUTION			
9		X505-007600	1	LABEL,CAUTION			
10		X505-007620	1	LABEL,CAUTION			
11		X505-007630	2	LABEL,CAUTION			
12		X505-007640	1	LABEL,CAUTION			
13		X505-007650	1	LABEL,CAUTION			
14		X505-007660	1	LABEL,CAUTION			
15		X505-007690	2	LABEL,CAUTION			
16		M704-001520	1	LABEL,INST			
17		M704-001400	1	LABEL,INST			
18		M705-000630	2	LABEL,FEATURE			
19		X504-006310	2	LABEL,BRAND			
20		M704-000680	1	LABEL,INST			
21		M704-001530	1	LABEL,INST			
22		M704-000310	1	LABEL,INST			
23		M707-000630	1	LABEL,INST			
24		X505-007550	1	LABEL,CAUTION			
27		X505-007680	1	LABEL,CAUTION			
29		M704-002330	1	LABEL,INST	REMOTE CONTROL		

16. COVER RELATED PARTS

DGW500DM-200



KEY	LV	PART NUMBER	Q'TY	DESCRIPTION	REMARKS	NOTE1	NOTE2
1		V475-005710	1	TUBE			
2		M010-000000	1	CT			
3		V150-002660	1	CORE PLATE			
4		91341-06025	2	SCREW SW			
5		M386-000090	1	LEAD			
6		M386-000100	1	LEAD			
7		C154-000491	2	RECEPTACLE	GFCI 20A125V		
8		91564-04016	4	SCREW SPW			
9		V262-000190	4	FLANGE NUT			
10		M386-000110	1	LEAD			
11		M307-000150	1	PLATE INST			
12		V225-000190	4	TERMINAL POST			
13		900602-00008	8	WASHER 8	8.4*17*1.6		
14		900605-00008	8	WASHER, SPRING 8	8		
15		900500-00008	8	NUT 8	8*P1.25		
16		91036-06025	4	BOLT SW			
17		V205-000680	4	BOLT SW			
18		J430-001160	1	BOX,CONTROL			
19		J485-000330	2	HINGE			
20		900212-04010	4	SCREW 4*10	+SF4*10		
21		M416-000070	11	STOPPER,BAND			
22		V204-001600	6	BOLT,6	M6*16		
23		M1111-001210	1	BREAKER			
24		G363-000180	1	HARNESS,WIRE			
25		C519-004590	1	STAY			
26		91461-04045	2	SCREW			
27		M603-000010	4	TERMINAL REST			
28		91031-05008	8	BOLT SW			
29		92227-12000	8	WASHER			
30		92237-12000	8	WASHER SPRING	SW-12		
31		92005-12000	8	NUT			
32		M308-000410	1	BLOCK,TERMINAL			
33		91564-05025	2	SCREW SPW			
34		C557-000240	1	SHEET			
35		C519-005160	1	STAY			
36		J447-000270	1	TERMINAL GUARD			
37		91037-05012	4	BOLT SPW			
38		V150-003140	1	PLATE,EYE			
39		91036-06016	3	BOLT SW			
40		91034-08040	1	BOLT SW			
41		900602-00008	1	WASHER 8	8.4*17*1.6		
42		V265-000450	2	NUT,8			
43		C137-000250	2	CIRCUIT PROTECTOR			
44		C527-001000	1	STAY			
45		M416-000010	1	TIE MOUNT			
46		91343-05012	1	SCREW			
47		91564-04012	2	SCREW SW			
48		J139-000230	2	DUST COVER			

Index

Patrs Number	Key No.	Patrs Number	Key No.	Patrs Number	Key No.
900147-08020	2 - 9	91036-06016	16 - 39	A471-000410	14 - 16
900147-08020	5 - 2	91036-06025	5 - 12	A565-000090	11 - 11
900147-08020	8 - 10	91036-06025	9 - 14	C123-000080	7 - 33
900147-08025	4 - 1	91036-06025	16 - 16	C124-000060	12 - 1
900147-08025	6 - 7	91036-06030	5 - 6	C124-000110	12 - 2
900147-08025	11 - 17	91036-06030	10 - 7	C137-000250	16 - 43
900147-08030	1 - 1	91037-05012	6 - 3	C154-000460	12 - 14
900147-10025	7 - 16	91037-05012	13 - 31	C154-000491	16 - 7
900147-10025	9 - 1	91037-05012	16 - 37	C163-000010	13 - 5
900209-05010	8 - 6	91142-10025	7 - 35	C165-000010	6 - 2
900212-04010	7 - 15	91308-03012	9 - 10	C390-000010	5 - 24
900212-04010	8 - 3	91341-06025	11 - 25	C390-000010	8 - 15
900212-04010	9 - 5	91341-06025	16 - 4	C390-000050	9 - 9
900212-04010	16 - 20	91343-05012	16 - 46	C454-000420	10 - 9
900500-00008	7 - 29	91397-04012	13 - 6	C519-003110	1 - 3
900500-00008	16 - 15	91461-03006	14 - 7	C519-003700	11 - 9
900602-00008	5 - 9	91461-04014	12 - 3	C519-004590	16 - 25
900602-00008	9 - 13	91461-04045	16 - 26	C519-005110	6 - 4
900602-00008	10 - 10	91461-06012	7 - 6	C519-005120	10 - 2
900602-00008	16 - 13	91463-05012	3 - 6	C519-005130	14 - 31
900602-00008	16 - 41	91561-04008	12 - 16	C519-005160	16 - 35
900605-00008	7 - 30	91564-03010	5 - 25	C527-001000	16 - 44
900605-00008	16 - 14	91564-03010	8 - 16	C557-000230	14 - 17
900605-00010	2 - 3	91564-03016	10 - 3	C557-000240	16 - 34
900605-00010	7 - 1	91564-04012	5 - 27	C603-000450	8 - 21
900605-00010	10 - 5	91564-04012	16 - 47	C603-000460	8 - 23
900605-00010	11 - 4	91564-04016	6 - 13	C619-000130	7 - 34
900605-00012	2 - 12	91564-04016	16 - 8	C701-000400	8 - 5
900605-00012	7 - 10	91564-04020	14 - 36	E111-000110	3 - 2
900605-00012	11 - 7	91564-05016	13 - 2	E121-000060	3 - 7
900617-00010	2 - 4	91564-05020	13 - 1	E145-000070	12 - 10
900617-00010	6 - 9	91564-05025	16 - 33	E145-000080	12 - 11
900617-00010	7 - 2	91564-06012	14 - 19	E325-000100	3 - 4
900617-00010	10 - 6	91564-06020	14 - 5	E617-000080	4 - 2
900617-00012	7 - 11	91564-06025	14 - 18	G031-004040	13 - 11
900617-00012	11 - 8	91566-04012	6 - 5	G121-000430	2 - 1
900703-00004	9 - 6	91566-04012	8 - 19	G211-000300	2 - 10
91000-12022	2 - 11	92005-12000	16 - 31	G231-000680	2 - 5
91000-12022	7 - 9	92190-08000	7 - 25	G250-000450	3 - 1
91010-10016	7 - 3	92227-12000	16 - 29	G257-000640	8 - 8
91010-10016	10 - 4	92237-12000	16 - 30	G280-000160	10 - 1
91014-10030	11 - 15	92423-34000	11 - 14	G300-000180	7 - 31
91024-05040	11 - 20	93003-08000	10 - 11	G303-000360	7 - 23
91024-10030	11 - 10	A045-000510	7 - 37	G305-000030	7 - 21
91027-10025	11 - 3	A045-000510	12 - 12	G318-000010	12 - 5
91031-05008	16 - 28	A171-000090	11 - 16	G319-000060	12 - 4
91034-08040	16 - 40	A300-001680	2 - 8	G327-000330	12 - 7
91036-05025	13 - 8	A354-000030	5 - 22	G327-000340	12 - 6
91036-06016	5 - 3	A403-000350	13 - 10	G334-000850	13 - 16

Index

Patrs Number	Key No.	Patrs Number	Key No.	Patrs Number	Key No.
G334-000870	12 - 17	M112-000030	12 - 8	M702-000050	13 - 15
G350-000380	13 - 12	M112-000030	13 - 14	M704-000310	15 - 22
G350-000400	13 - 13	M116-000040	14 - 27	M704-000680	15 - 20
G360-000750	13 - 27	M305-000080	11 - 2	M704-001400	15 - 17
G362-000241	14 - 4	M305-000090	11 - 5	M704-001520	15 - 16
G362-000250	14 - 15	M307-000150	16 - 11	M704-001530	15 - 21
G362-000260	14 - 34	M308-000410	16 - 32	M704-002130	15 - 5
G362-000270	1 - 11	M383-000050	7 - 26	M704-002330	15 - 29
G362-000290	13 - 21	M383-000080	7 - 28	M704-002340	15 - 3
G362-000300	13 - 30	M383-000090	14 - 11	M704-002350	15 - 4
G362-000330	12 - 15	M383-000100	14 - 13	M705-000630	15 - 18
G363-000180	16 - 24	M383-000110	14 - 14	M707-000630	15 - 23
G363-000190	7 - 36	M383-000120	13 - 18	V104-001740	2 - 6
G370-000770	13 - 9	M383-000130	13 - 19	V145-000320	3 - 12
G370-001710	13 - 7	M383-000140	13 - 20	V150-002620	8 - 2
G393-000210	7 - 39	M383-000150	13 - 22	V150-002620	9 - 4
J139-000180	13 - 17	M383-000160	13 - 23	V150-002660	11 - 24
J139-000230	16 - 48	M383-000170	13 - 24	V150-002660	16 - 3
J405-001410	7 - 4	M383-000180	13 - 25	V150-002780	14 - 20
J415-000400	7 - 12	M383-000190	13 - 26	V150-003140	16 - 38
J415-000410	7 - 13	M383-000200	13 - 28	V150-003150	14 - 33
J425-002690	6 - 12	M383-000210	14 - 12	V150-003230	14 - 32
J430-001160	16 - 18	M383-000220	14 - 22	V152-003310	7 - 17
J447-000270	16 - 36	M383-000230	13 - 29	V204-001600	1 - 4
J447-000760	5 - 19	M384-000000	7 - 27	V204-001600	3 - 9
J447-000770	5 - 20	M386-000090	16 - 5	V204-001600	4 - 4
J447-000960	5 - 21	M386-000100	16 - 6	V204-001600	5 - 14
J480-000750	9 - 8	M386-000110	16 - 10	V204-001600	6 - 10
J485-000310	7 - 14	M404-000990	8 - 4	V204-001600	7 - 7
J485-000330	16 - 19	M406-001380	8 - 1	V204-001600	8 - 20
J485-000490	8 - 18	M416-000010	16 - 45	V204-001600	9 - 7
J485-000610	9 - 3	M416-000020	7 - 5	V204-001600	14 - 28
J492-001420	5 - 1	M416-000030	4 - 3	V204-001600	16 - 22
J492-001441	9 - 2	M416-000030	7 - 32	V204-001610	6 - 1
J492-001770	5 - 15	M416-000030	10 - 8	V204-001610	8 - 22
K329-000040	3 - 3	M416-000070	13 - 3	V205-000630	3 - 10
M010-000000	16 - 2	M416-000070	16 - 21	V205-000680	16 - 17
M010-000010	11 - 23	M465-000770	6 - 11	V205-001120	1 - 10
M100-000010	14 - 6	M465-000870	5 - 13	V205-001120	4 - 10
M101-000000	14 - 3	M465-000890	5 - 16	V206-000480	2 - 2
M101-000060	14 - 2	M465-001100	8 - 11	V207-000250	11 - 6
M102-000280	11 - 12	M470-001490	5 - 17	V224-000060	14 - 1
M105-000000	14 - 35	M470-001690	5 - 5	V225-000190	16 - 12
M105-000130	14 - 21	M470-001900	5 - 4	V240-000150	7 - 24
M106-001020	11 - 18	M470-002350	8 - 14	V261-000010	5 - 26
M106-001070	11 - 19	M601-000080	1 - 7	V261-000010	8 - 17
M108-000060	13 - 4	M603-000010	16 - 27	V261-000010	9 - 11
M110-000090	14 - 30	M615-000040	14 - 8	V262-000190	5 - 28
M111-001210	16 - 23	M702-000050	12 - 9	V262-000190	6 - 6

Index

Patrs Number	Key No.	Patrs Number	Key No.	Patrs Number	Key No.
V262-000190	16 - 9	X505-007590	15 - 8		
V263-000330	8 - 7	X505-007600	15 - 9		
V264-000220	1 - 5	X505-007610	15 - 7		
V264-000220	5 - 7	X505-007620	15 - 10		
V264-000220	5 - 18	X505-007630	15 - 11		
V264-000220	14 - 29	X505-007640	15 - 12		
V265-000150	14 - 9	X505-007650	15 - 13		
V265-000290	2 - 7	X505-007660	15 - 14		
V265-000290	3 - 11	X505-007680	15 - 27		
V265-000310	7 - 22	X505-007690	15 - 15		
V265-000450	16 - 42	X532-003660	15 - 1		
V268-000060	11 - 1	X533-001060	15 - 2		
V355-000530	6 - 8				
V375-000460	8 - 9				
V375-000480	5 - 11				
V375-000480	9 - 16				
V376-001460	14 - 10				
V418-000040	1 - 2				
V420-003030	3 - 8				
V420-003140	7 - 8				
V420-003150	5 - 23				
V420-003150	8 - 12				
V420-003160	5 - 10				
V420-003160	9 - 12				
V420-003170	5 - 8				
V420-003170	8 - 13				
V420-003170	9 - 15				
V475-005710	16 - 1				
V475-006130	1 - 6				
V475-006130	14 - 26				
V475-006230	4 - 5				
V475-006240	4 - 8				
V475-006250	14 - 24				
V475-006260	14 - 25				
V475-006290	14 - 23				
V476-000210	4 - 7				
V476-000270	1 - 8				
V476-000270	4 - 6				
V476-000280	4 - 9				
V476-000290	1 - 9				
V481-000160	7 - 18				
V486-000240	7 - 19				
V486-000290	7 - 20				
V494-000460	7 - 38				
V494-000460	12 - 13				
V500-000020	3 - 5				
V592-000200	11 - 13				
X504-006310	15 - 19				
X505-007550	15 - 24				